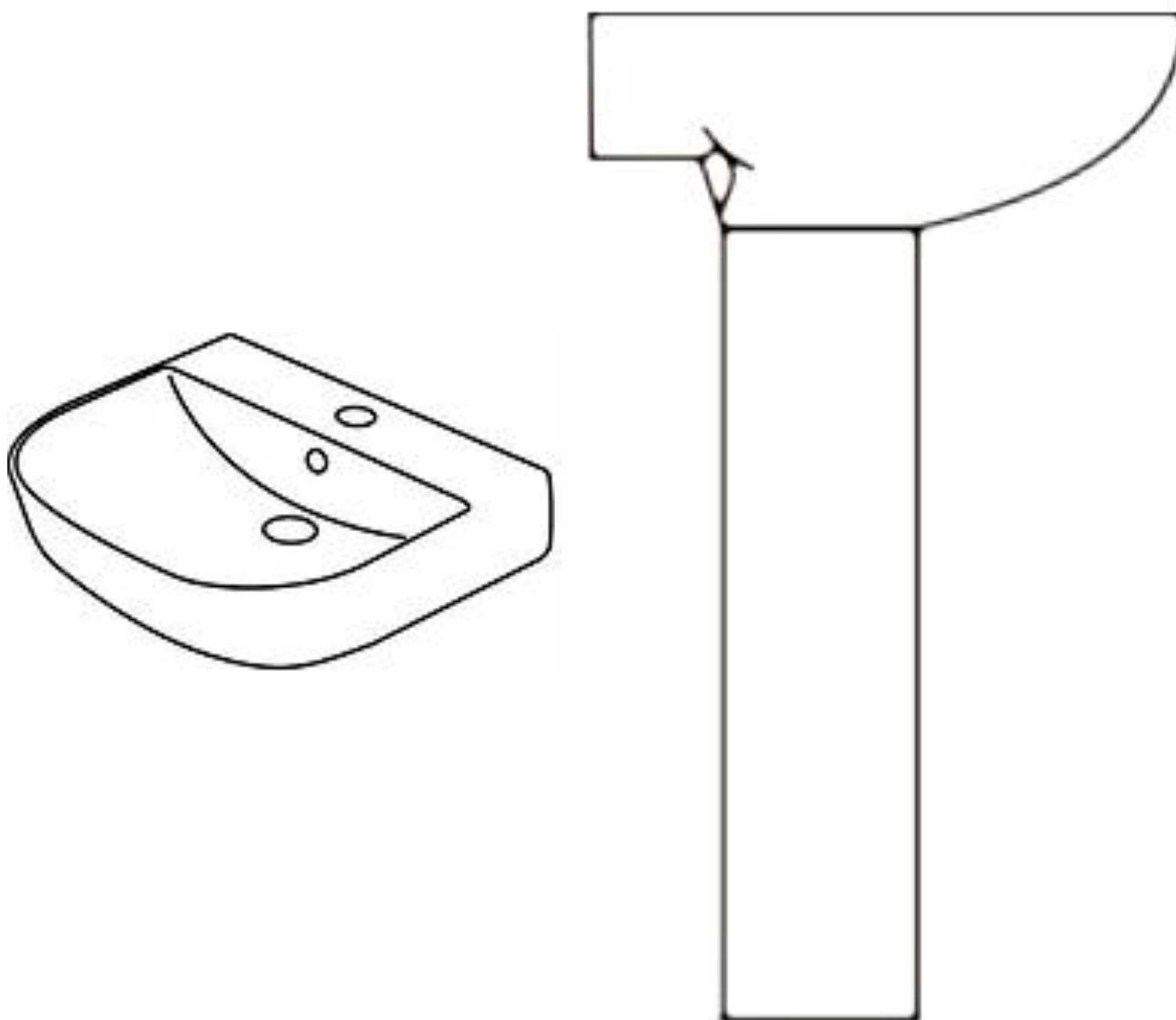


USER MANUAL

Wall Hung and Pedestal Basin

- Waste, trap and tap sold separately

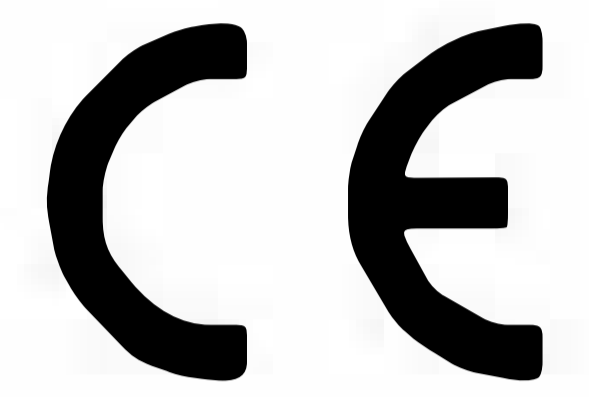


Please note: Image is for illustrative purposes only and may differ slightly to the actual product

- **Multi-person assembly**
- **Tools required**
- **We always recommend using professional tradespeople to install your product**

Important information

- Please read these instructions thoroughly and retain for future reference.
- Manufactured to BS EN14688 Sanitary appliances - wash basins.
- Please ensure that the product is checked for damage prior to installation, any damage reported after installation will not be covered.

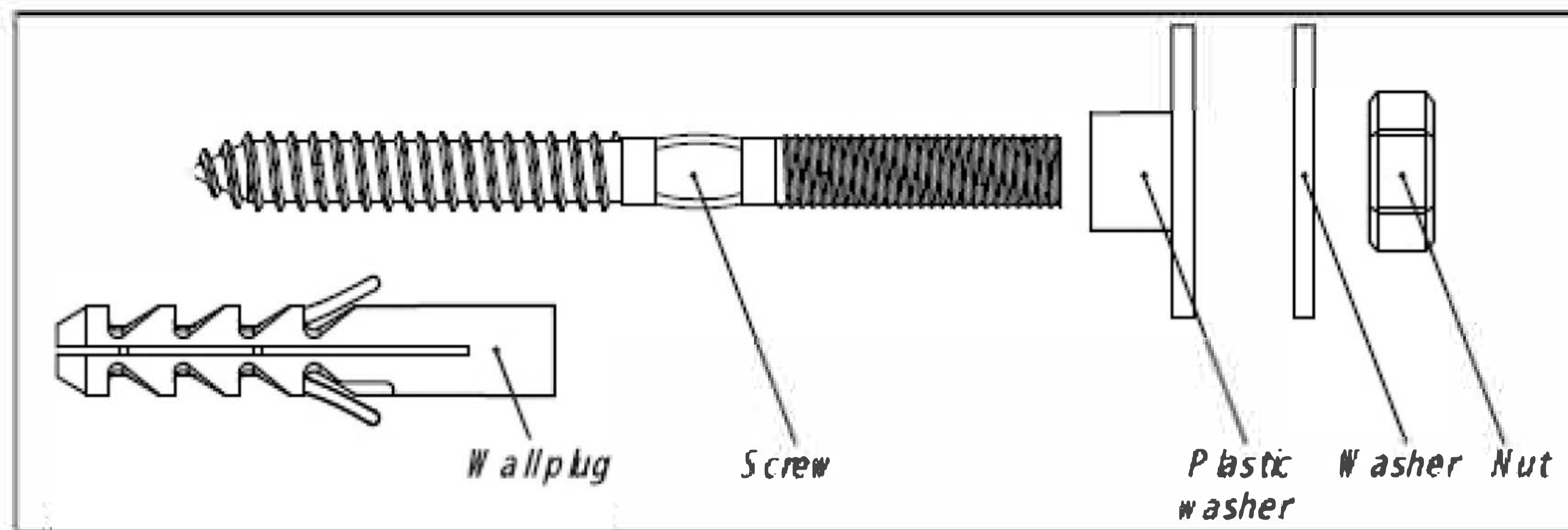


Tools required

Drill, drill bit, spanner, hammer and silicone

Installation

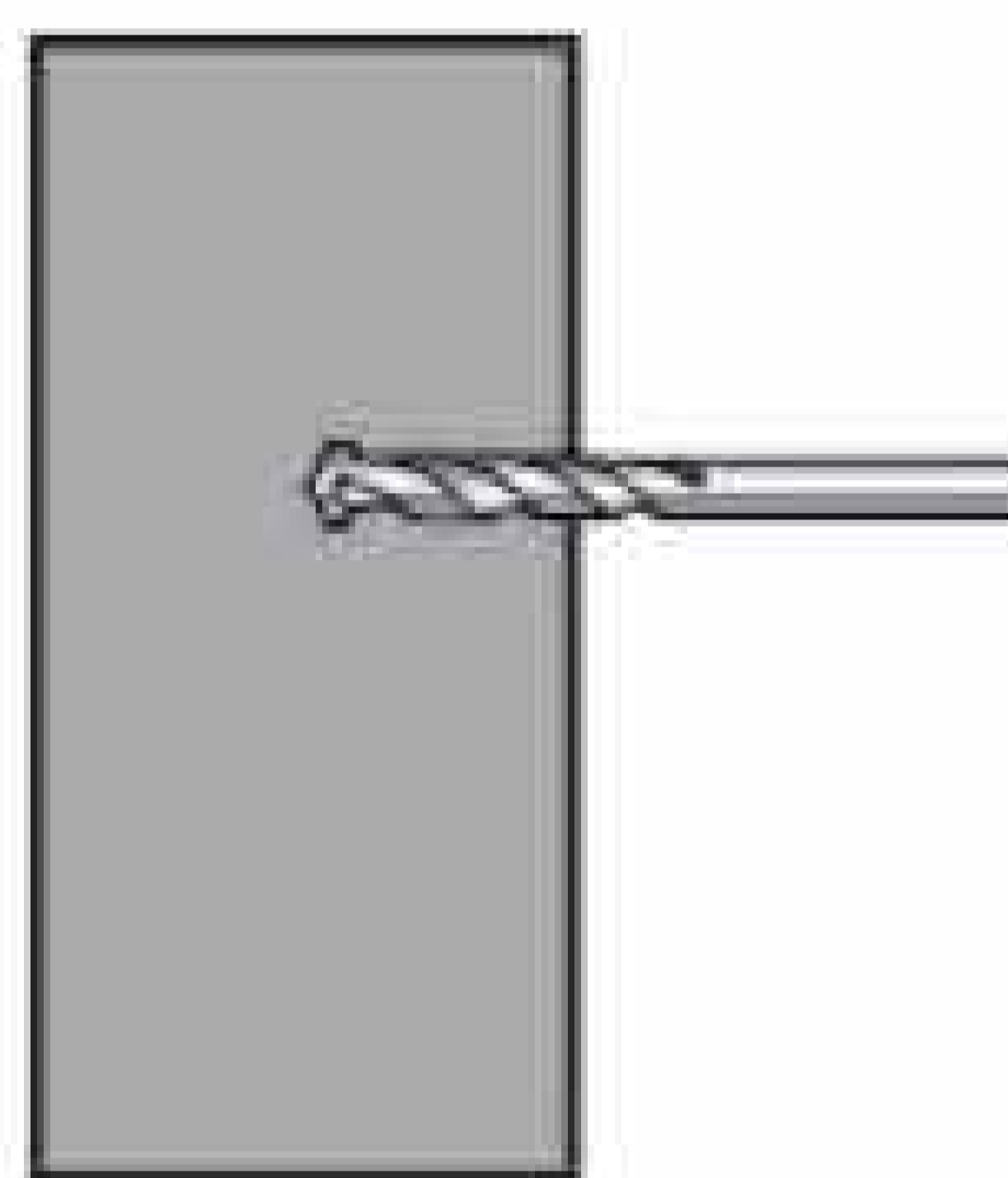
IMPORTANT! Below is the suggested method of installation to a solid wall, if the wall type is different you will require a different fixing type (fixings not supplied)



Please note: Before commencing any installation check for wires and pipes will not be damaged during drilling

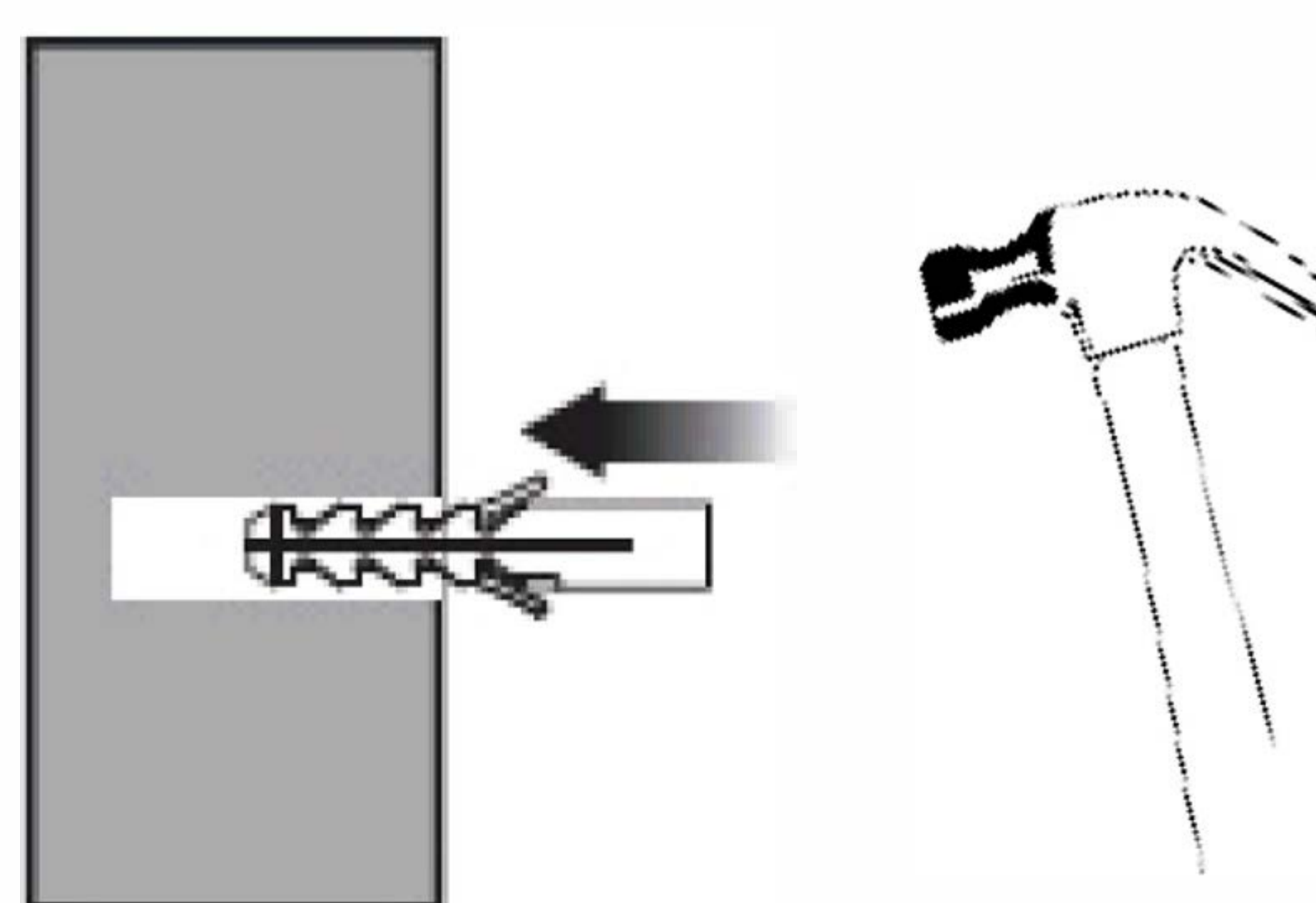
Installing basin to the wall

1. Offer the basin to the wall, checking that it is level then drill the wall in the required location.

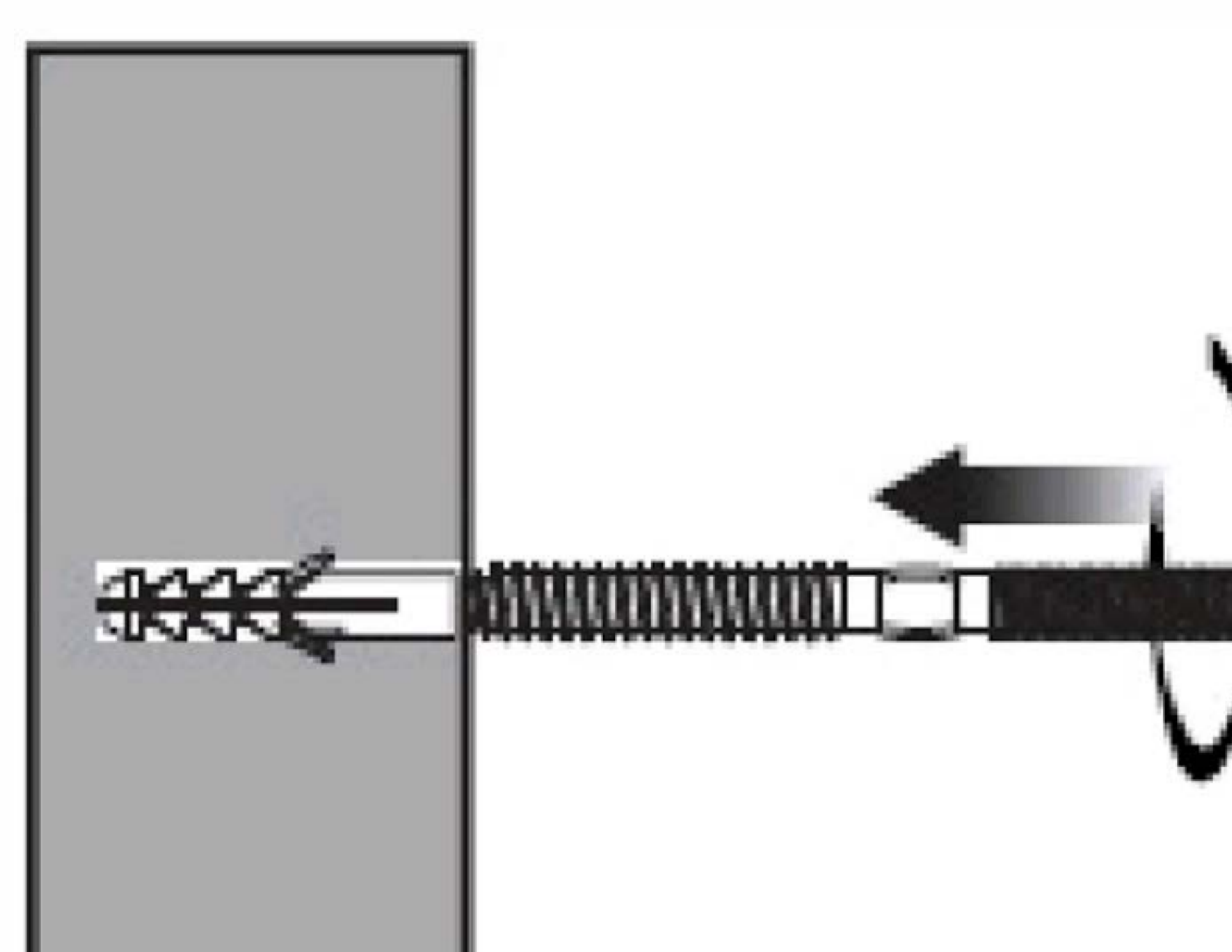


Please note: If you are drilling into a tile, it is recommended to tape the wall in the area to be drilled in order to prevent slipping

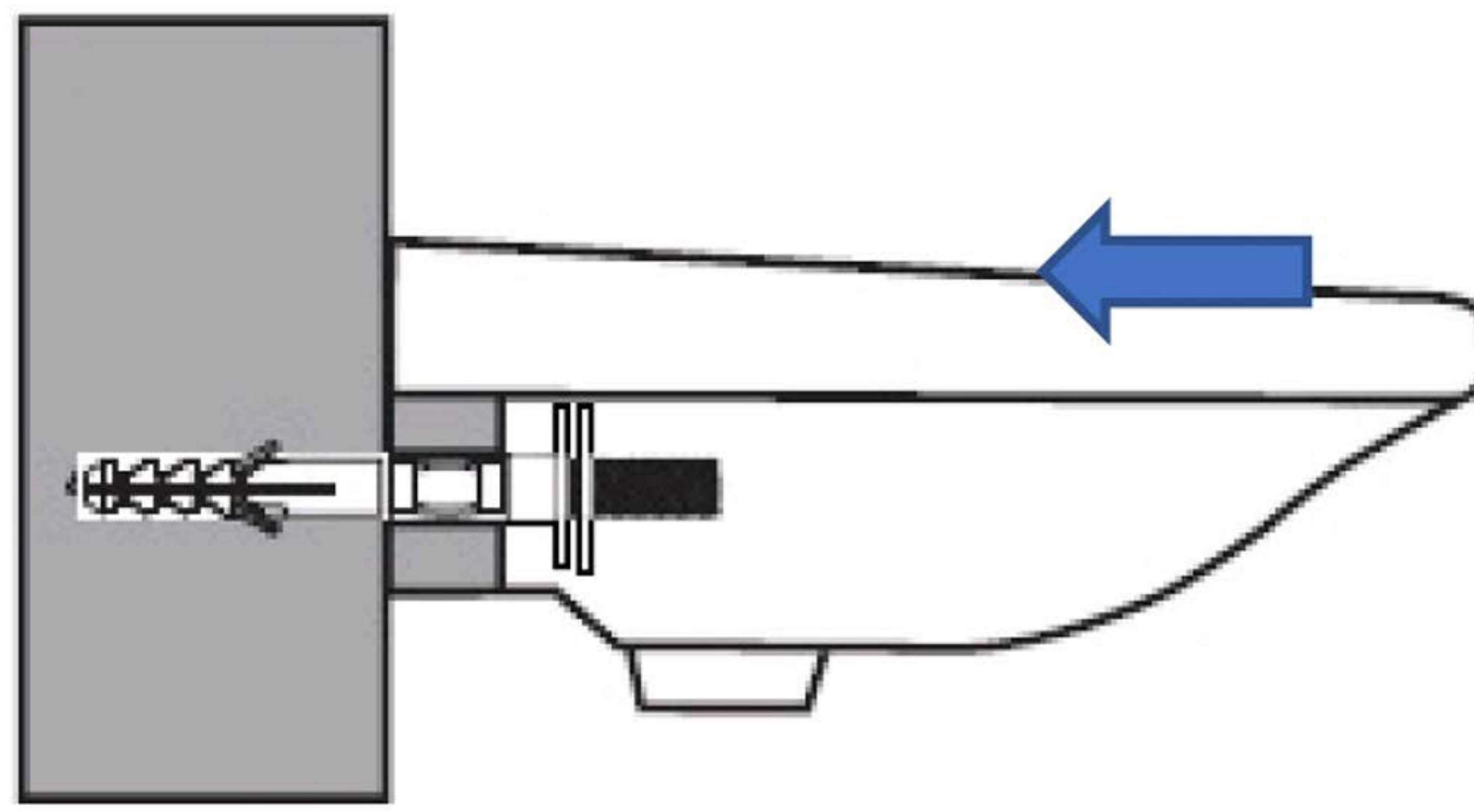
2. Insert the wall plug into the drilled hole then tap it to the finished wall surface.



3. Insert the fixing bar and tighten into the wall using a spanner or grips.

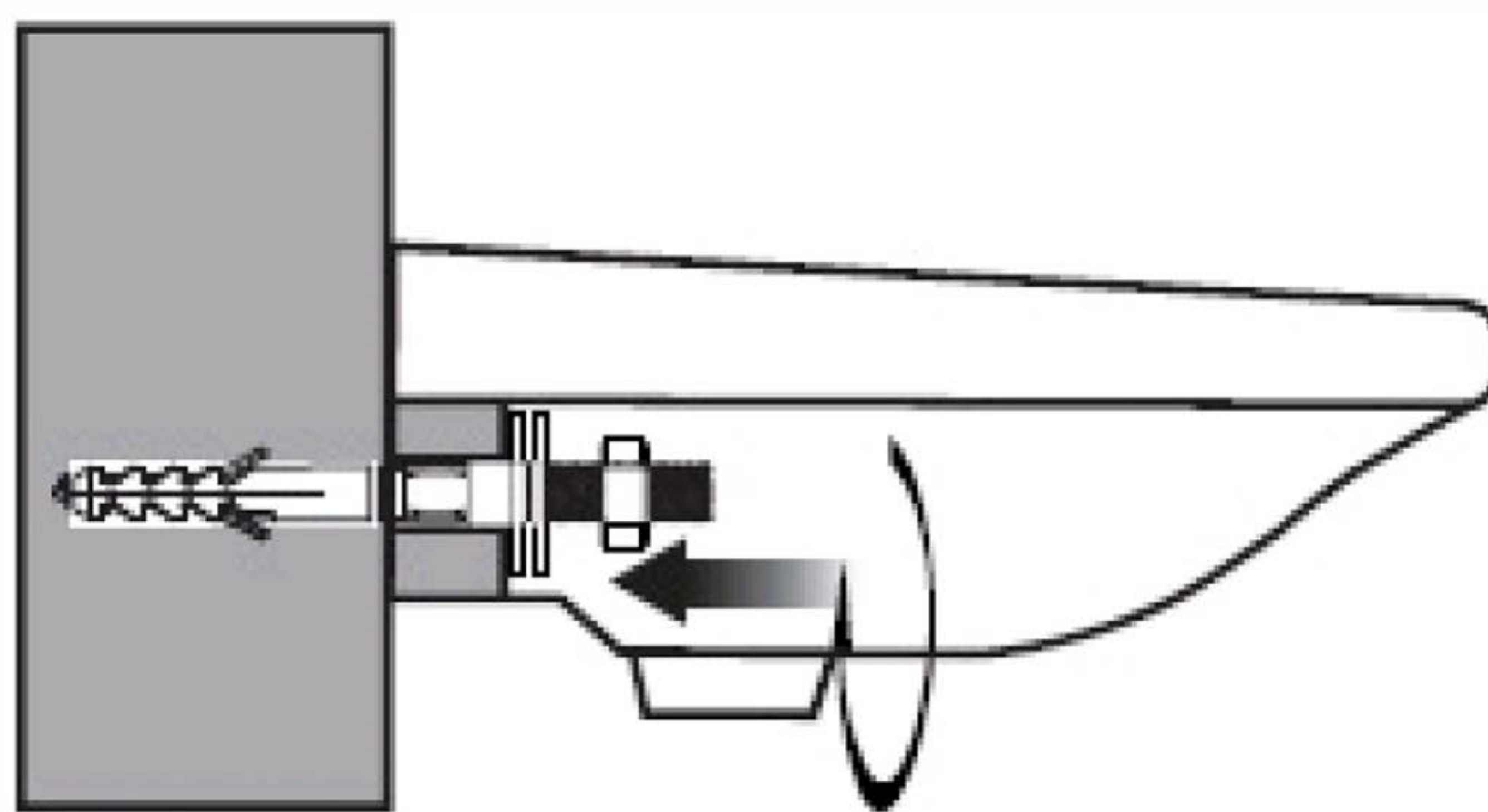


4. Hold the basin over the fixing bar then place the washers over the fixing bar as shown in the installation method diagram at the beginning.

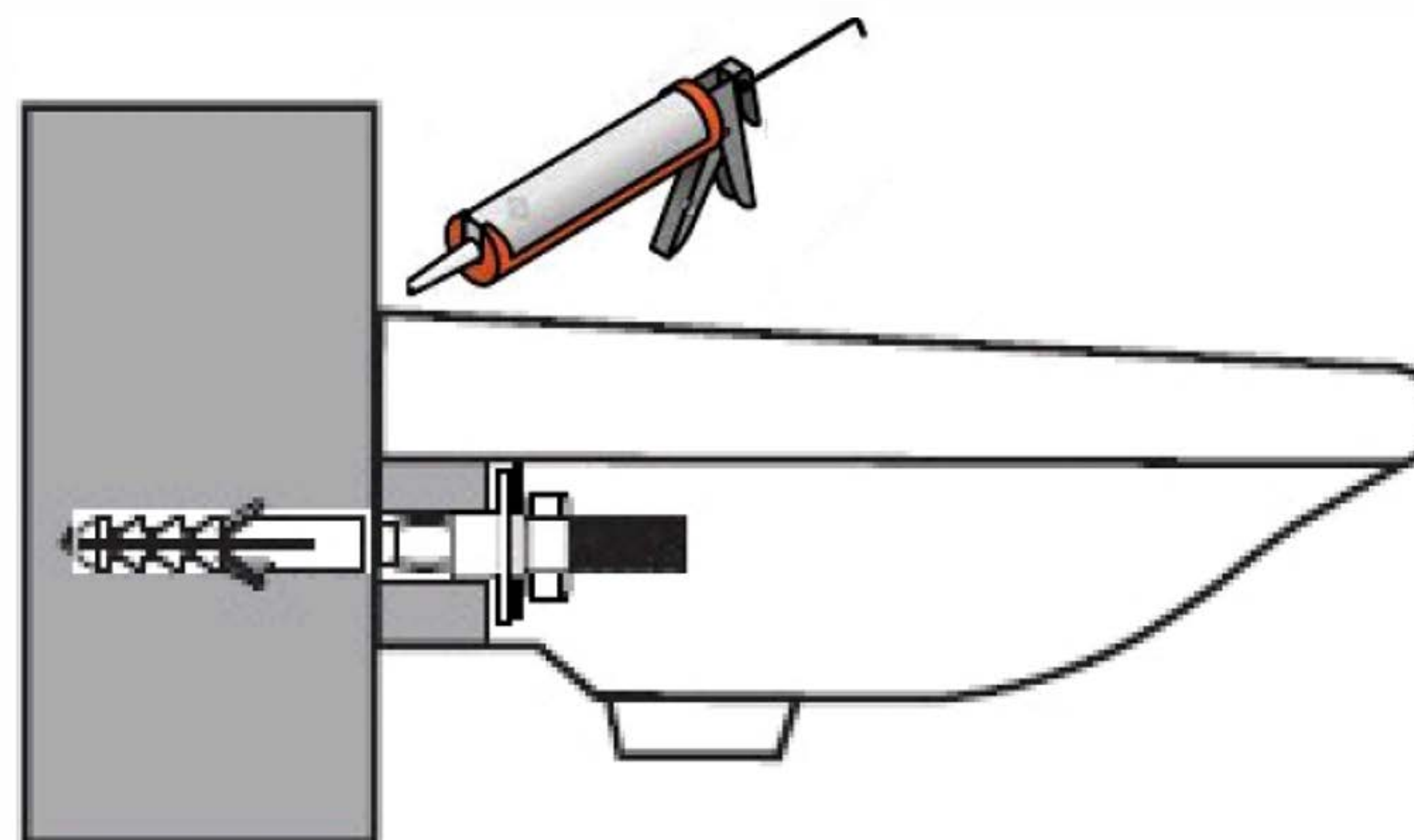


Please note: You will require two people for this section of the installation

5. Connect the nut and tighten into position using a spanner, do not overtighten.



6. Check that the basin is stable then seal along the back edge.



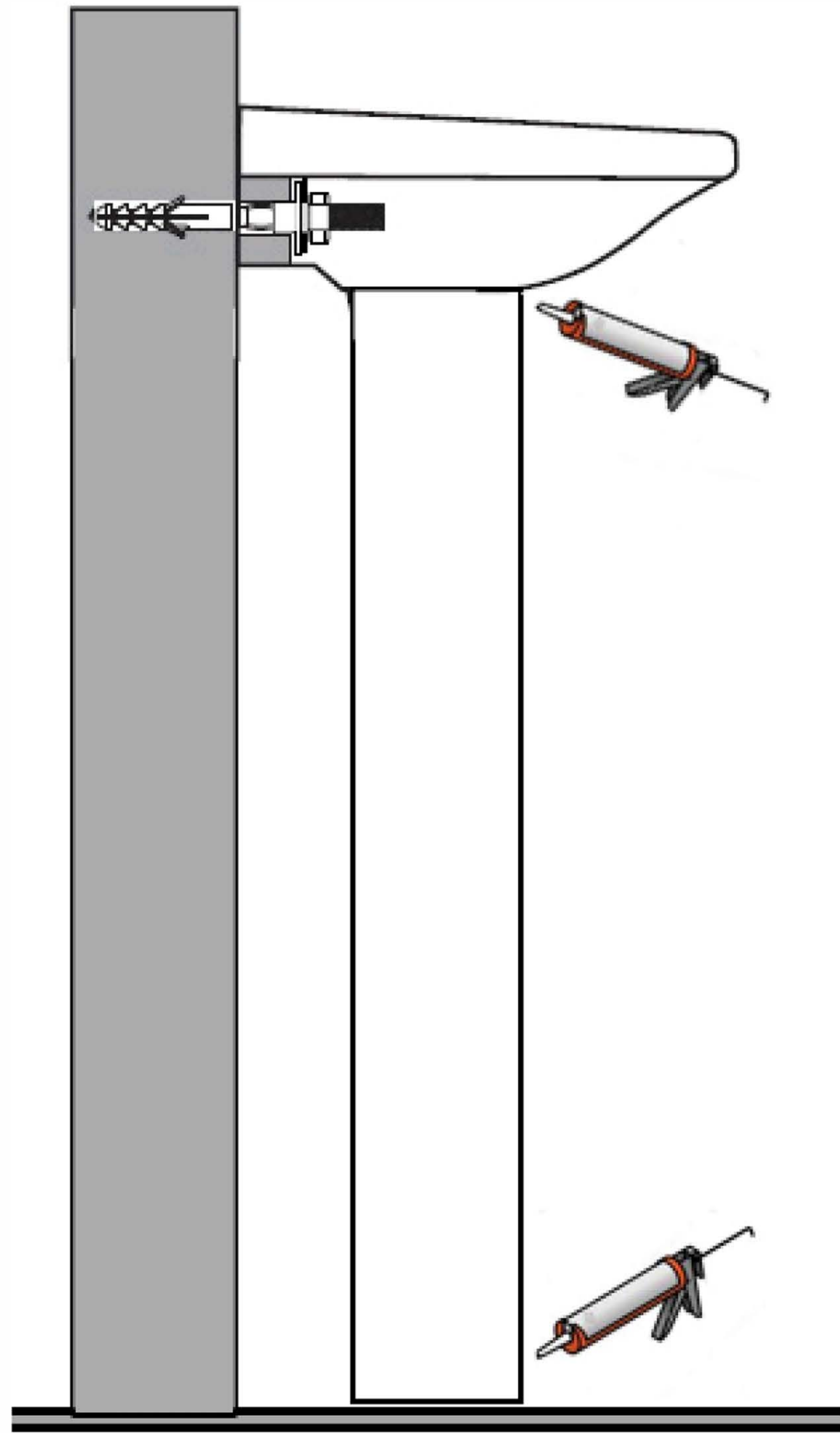
Please note: Allow all sealant to dry for at least 24 hours before use



Installing basin on a pedestal

1. Place the pedestal in the required location then place the basin onto the pedestal and align, so it is level and central. Once aligned, mark the drill holes through the holes in the back of the basin then remove and follow the instructions above from 1-3 (Installing basin to the wall)
2. Relocate the pedestal then the basin, so that the basin slots over the fixing bars then follow the instructions above from 4-6 (Installing basin to the wall).

3. Once the installation is complete, and the basin is secured, seal the basin and pedestal. Seal between the underside of the basin bowl and the top edge of the pedestal. Seal along the front bottom edge of the pedestal.



Please note: Allow all sealant to dry for at least 24 hours before use



Cleaning

To maintain the surface finish of your product, wipe clean after every use, using a clean damp cloth, a mild detergent mixture can be used. Do not use abrasive cleaning agents or materials which can strip and scratch the surface; the use of these agents or materials can invalidate your guarantee.