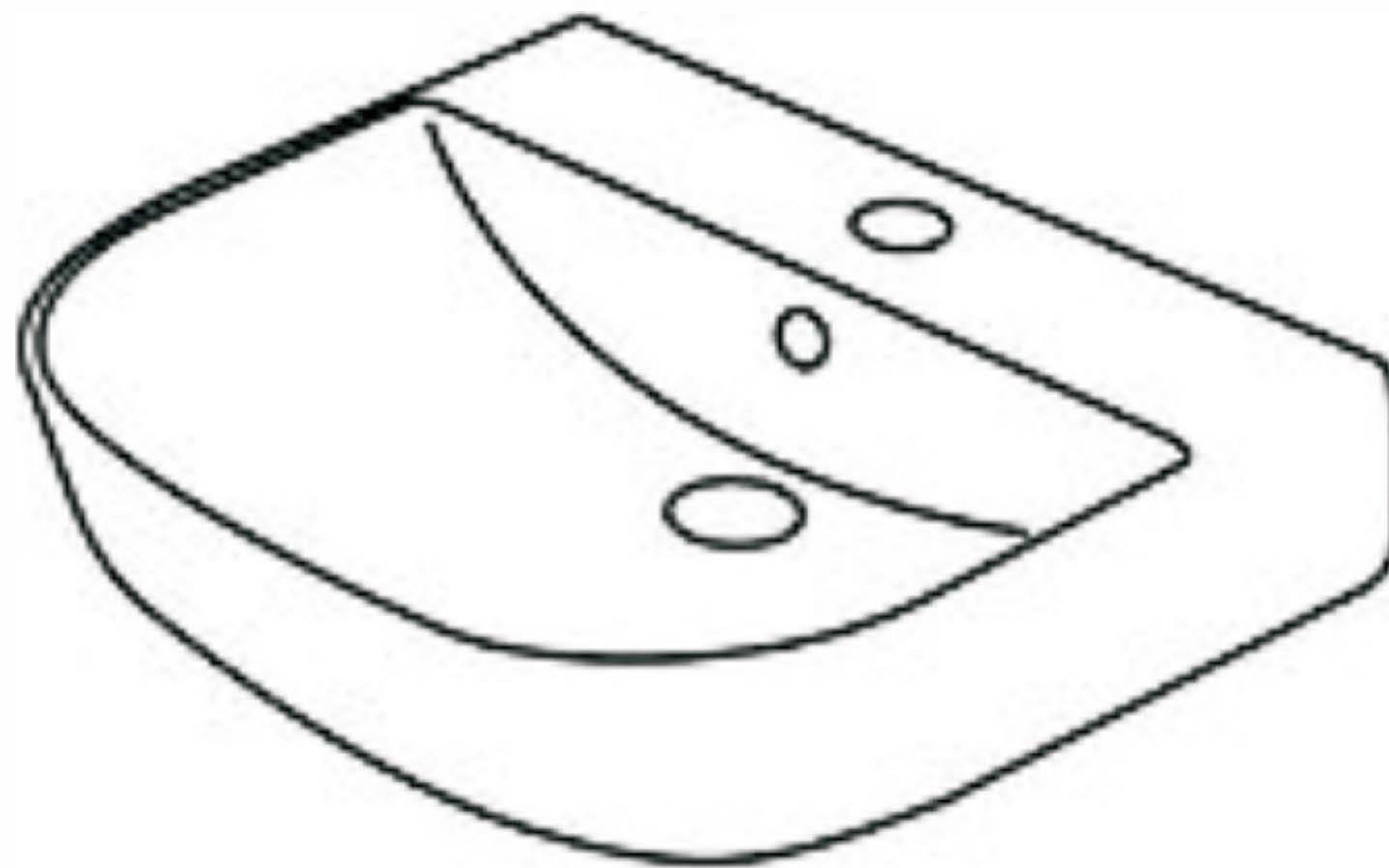


USER MANUAL

Wall Hung

- Waste, trap and tap sold separately



Please note: Image is for illustrative purposes only and may differ slightly to the actual product

- **Multi-person assembly**
- **Tools required**
- **We always recommend using professional tradespeople to install your product**

Important information

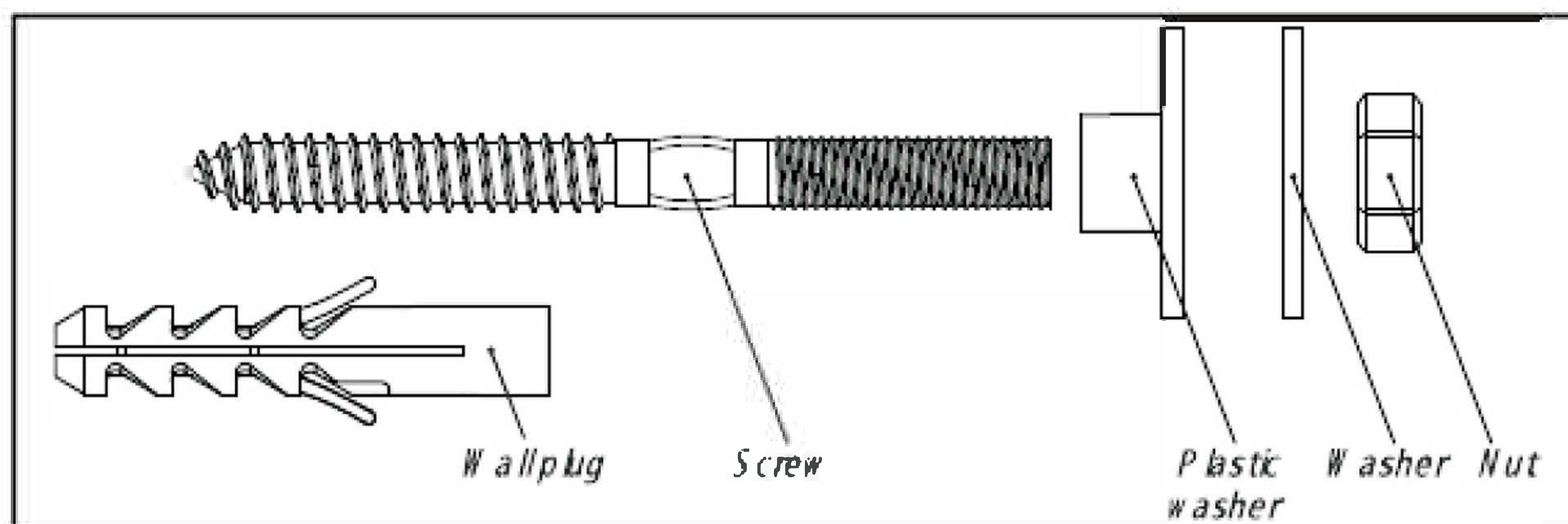
- Please read these instructions thoroughly and retain for future reference
- Always check for pipes and cables before drilling

Tools required

Drill, drill bit, spanner, hammer and silicone

Installation

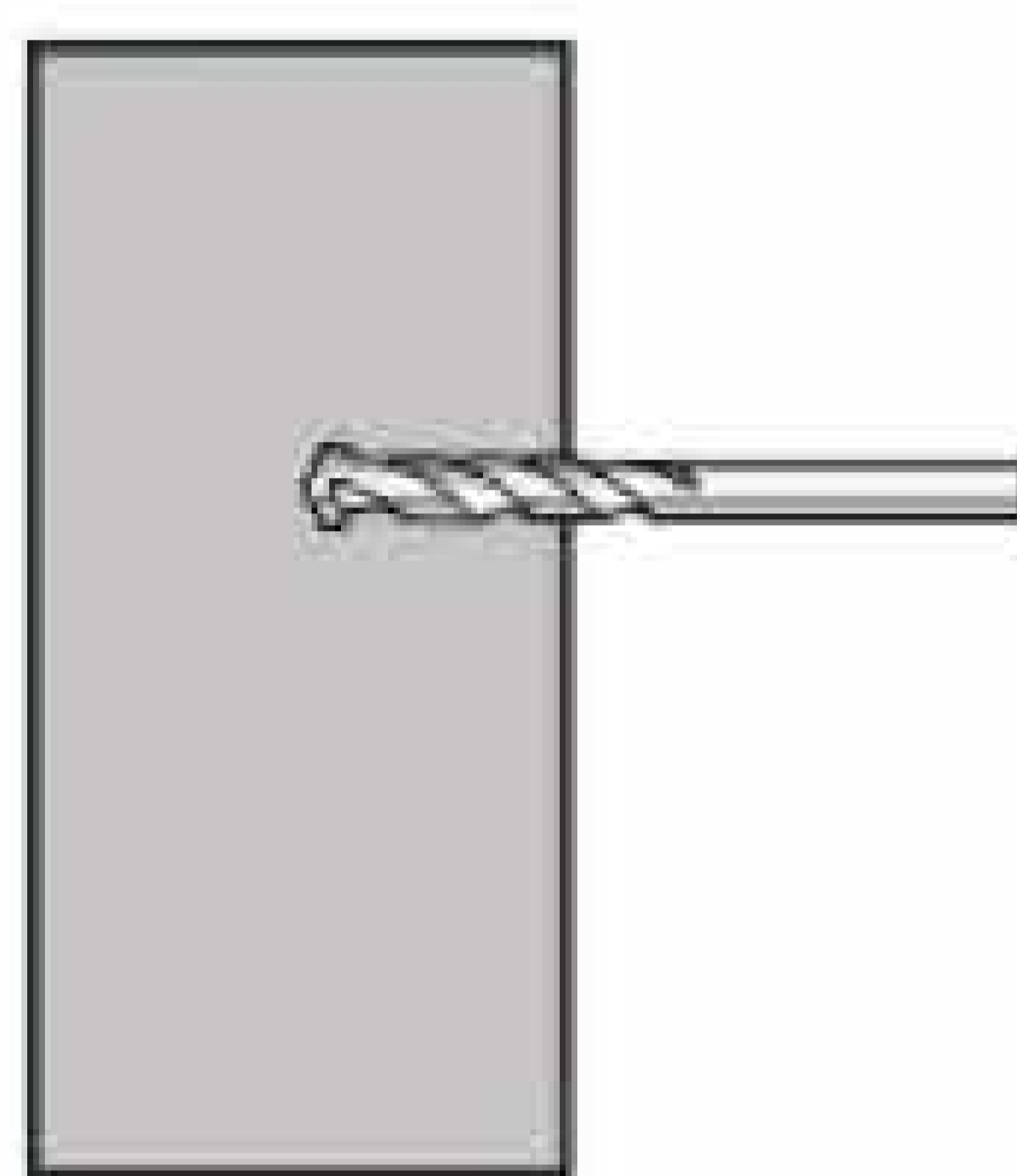
IMPORTANT! Below is the suggested method of installation to a solid wall, if the wall type is different you will require a different fixing type (fixings not supplied)



Please note: Before commencing any installation check for wires and pipes will not be damaged during drilling

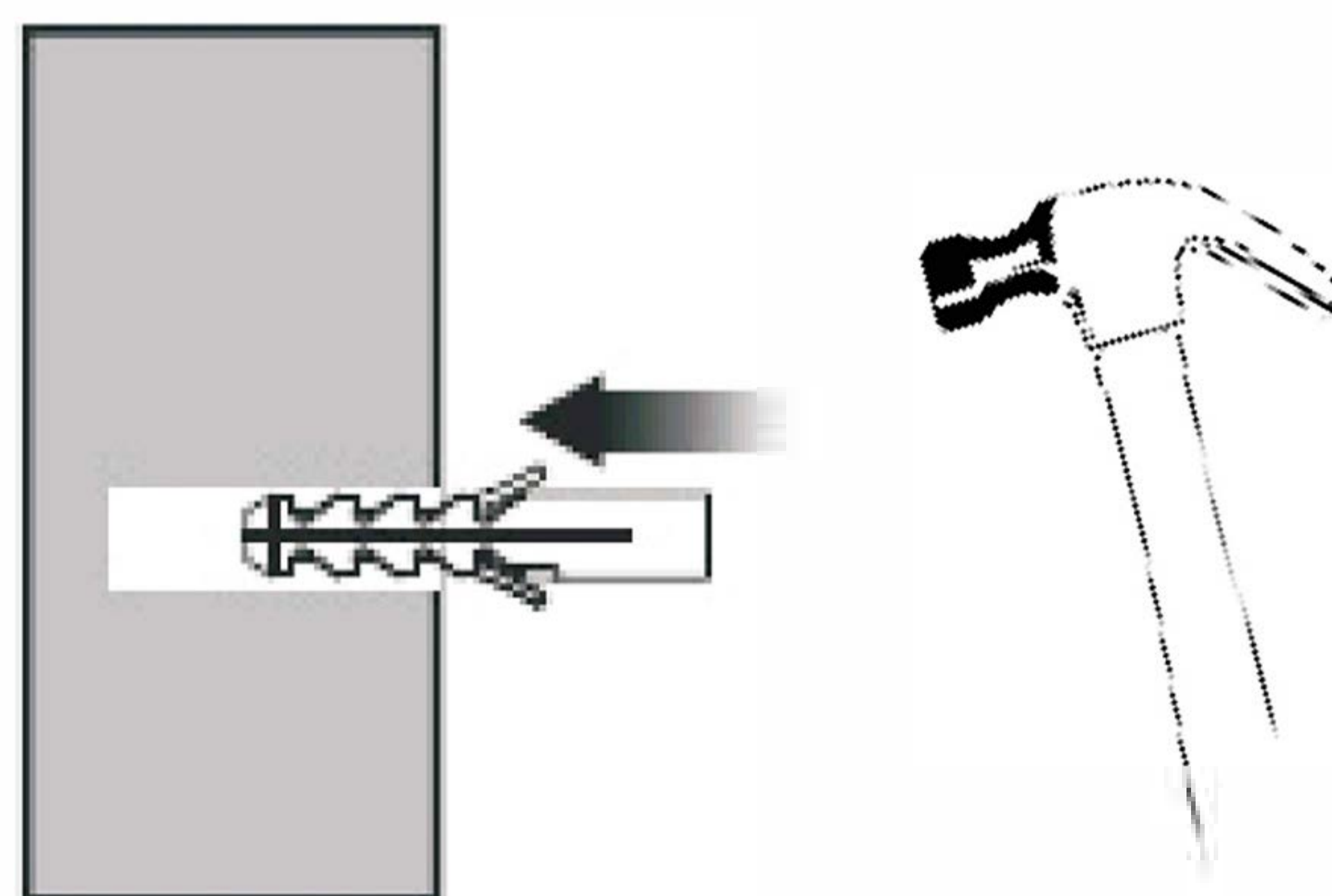
Installing basin to the wall

1. Offer the basin to the wall, checking that it is level then drill the wall in the required location.

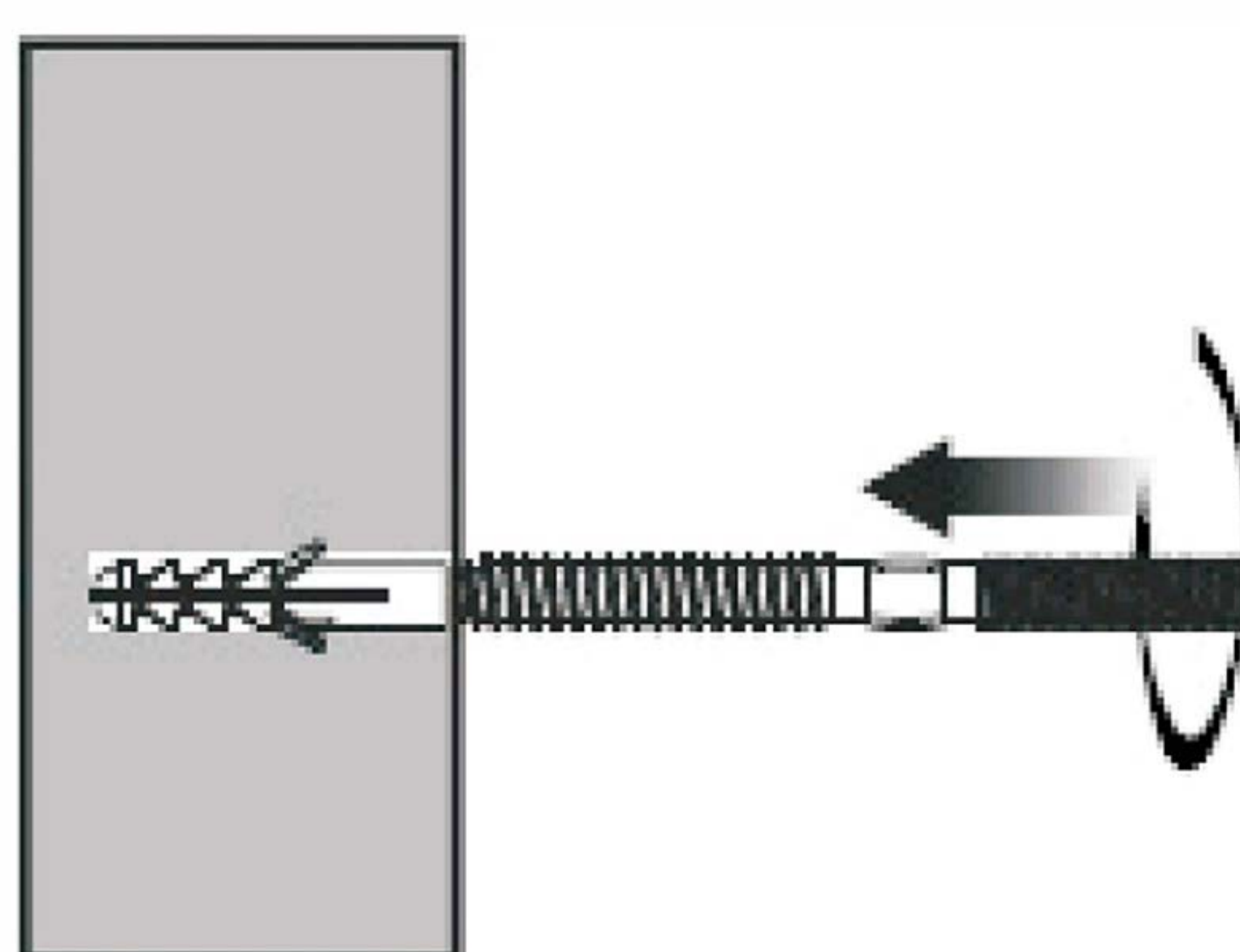


Please note: If you are drilling into a tile, it is recommended to tape the wall in the area to be drilled in order to prevent slipping

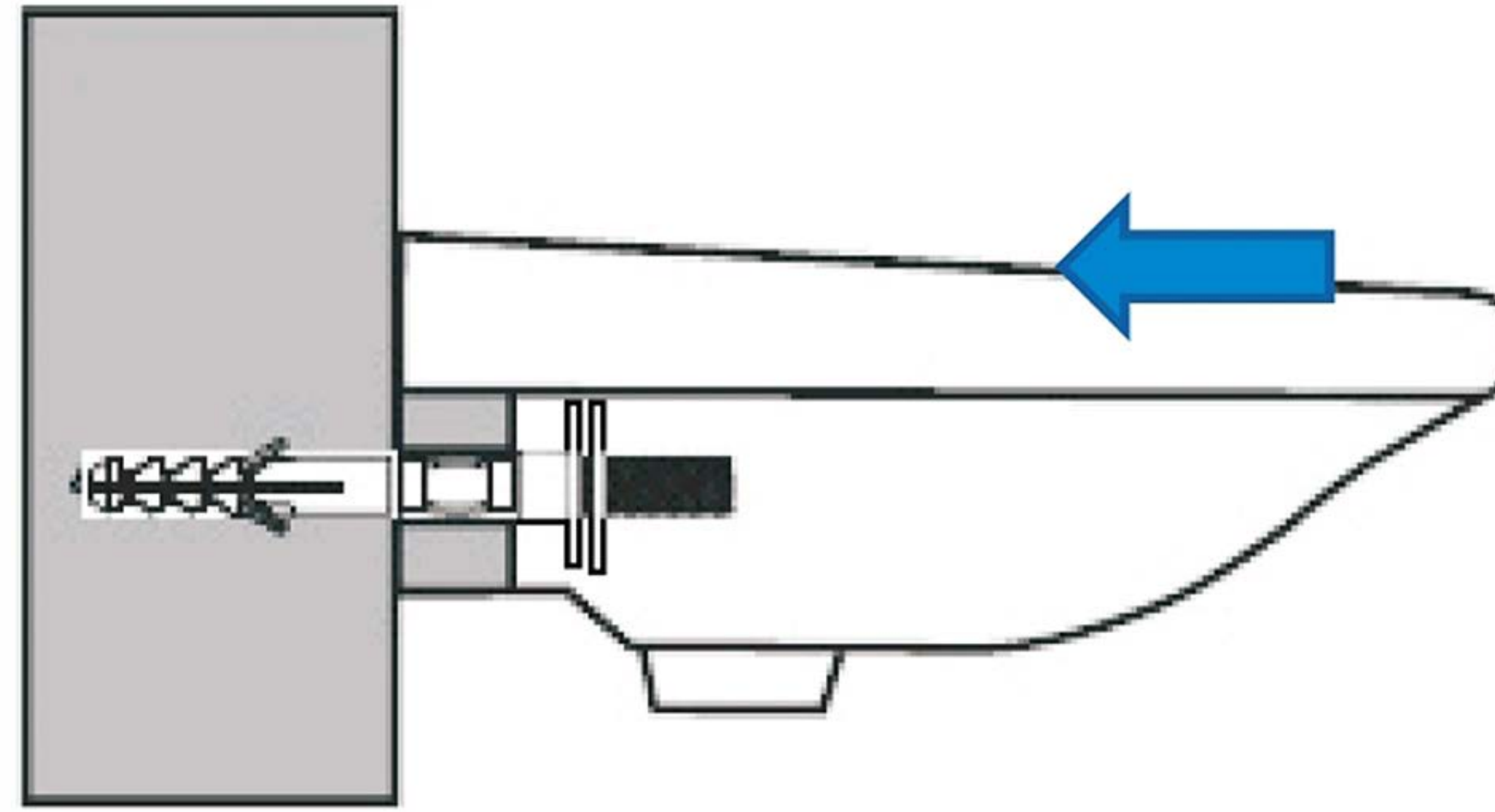
2. Insert the wall plug into the drilled hole then tap it to the finished wall surface.



3. Insert the fixing bar and tighten into the wall using a spanner or grips.

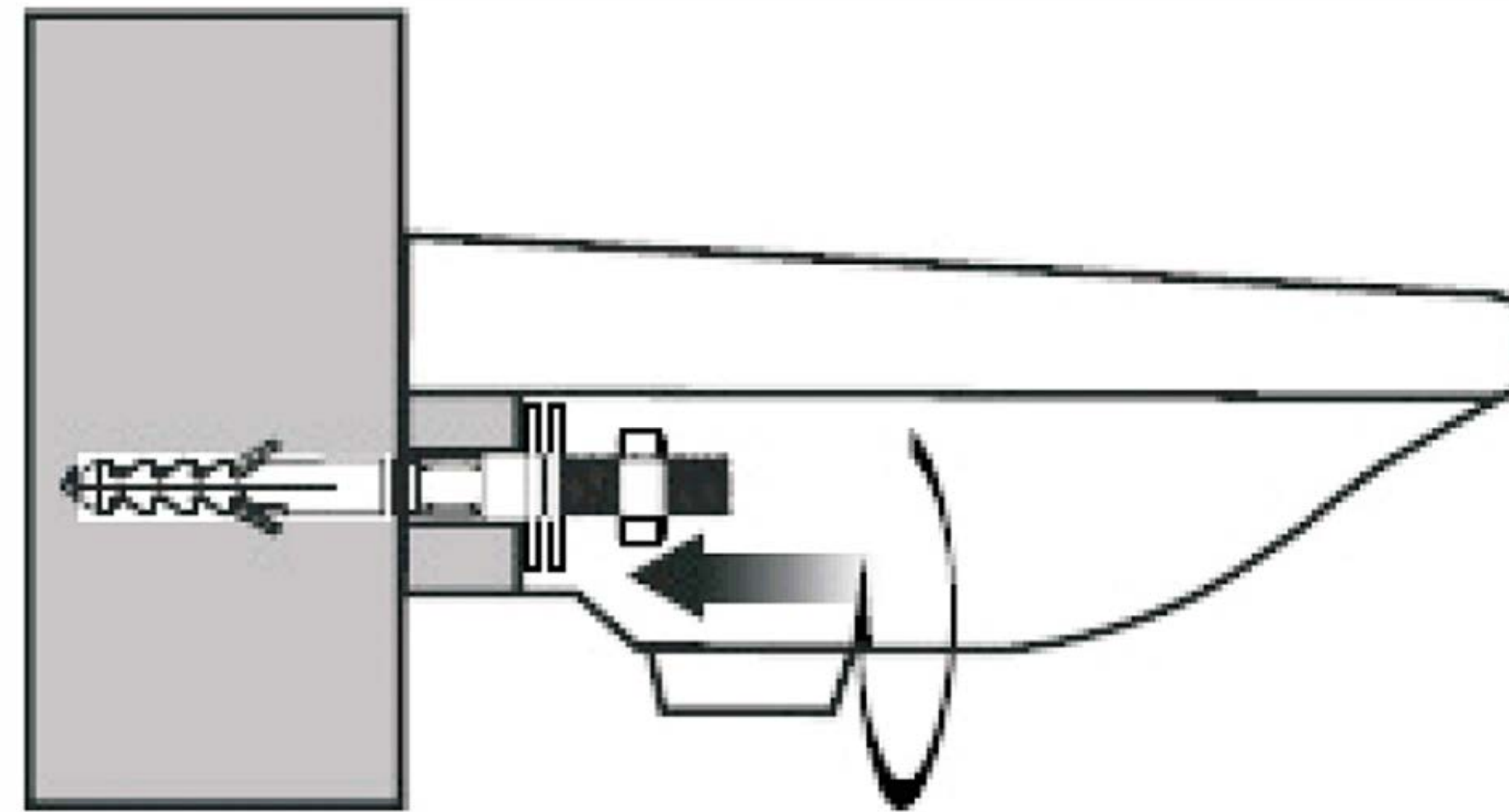


4. Hold the basin over the fixing bar then place the washers over the fixing bar as shown in the installation method diagram at the beginning.

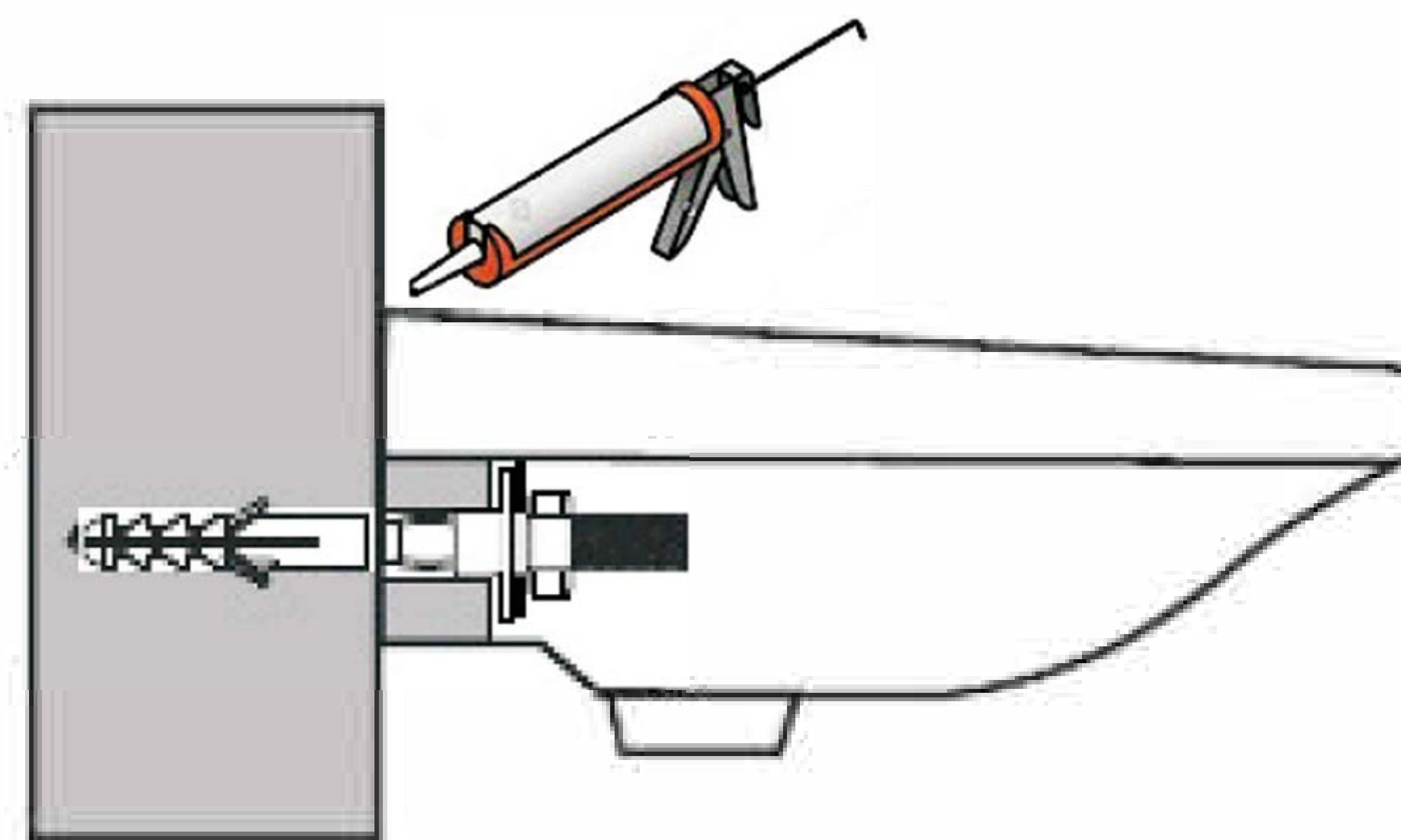


Please note: You will require two people for this section of the installation

5. Connect the nut and tighten into position using a spanner, do not overtighten.



6. Check that the basin is stable then seal along the back edge.



Please note: Allow all sealant to dry for at least 24 hours before use



Cleaning

To maintain the surface finish of your product, wipe clean after every use, using a clean damp cloth, a mild detergent mixture can be used. Do not use abrasive cleaning agents or materials which can strip and scratch the surface; the use of these agents or materials can invalidate your guarantee.