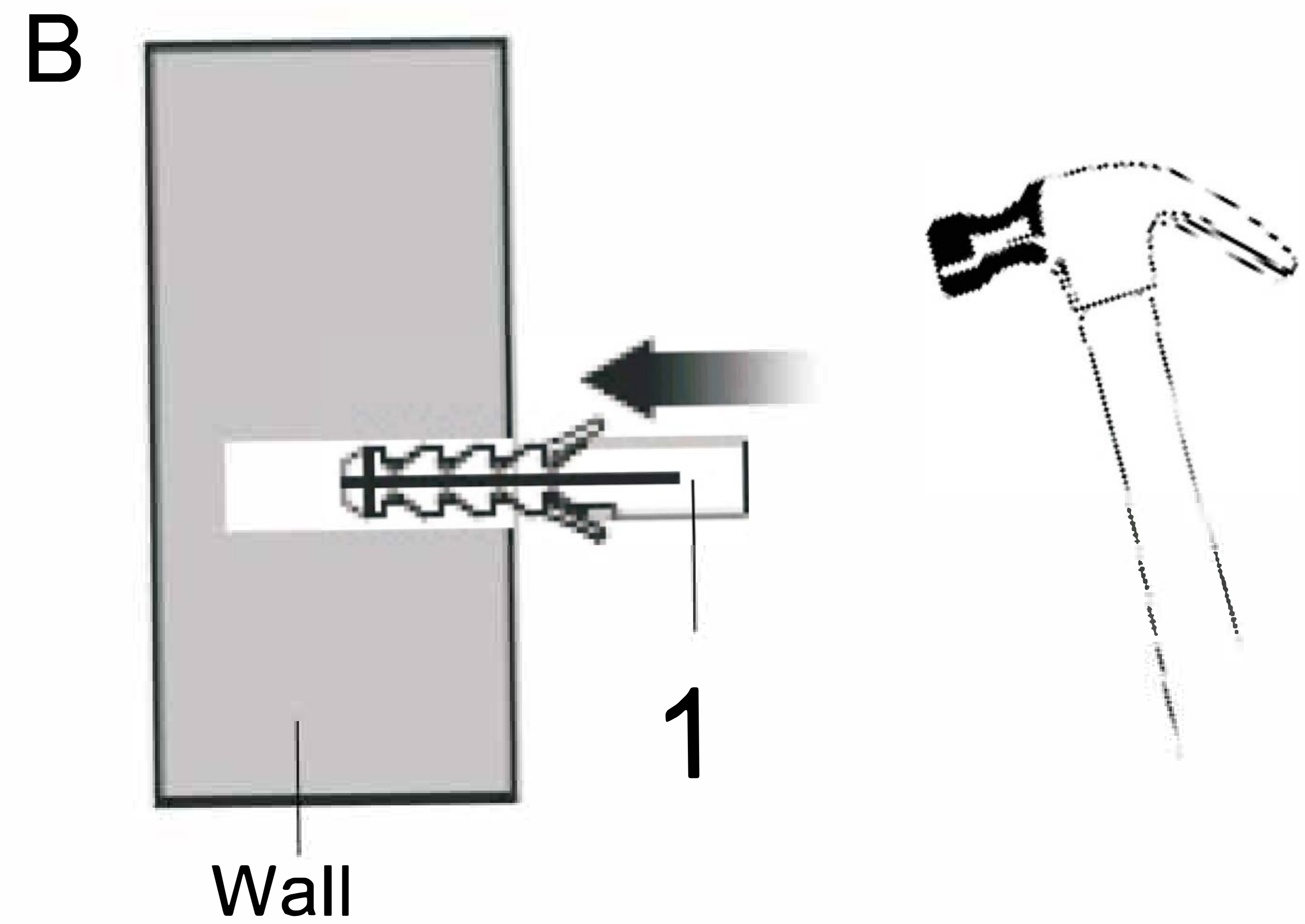


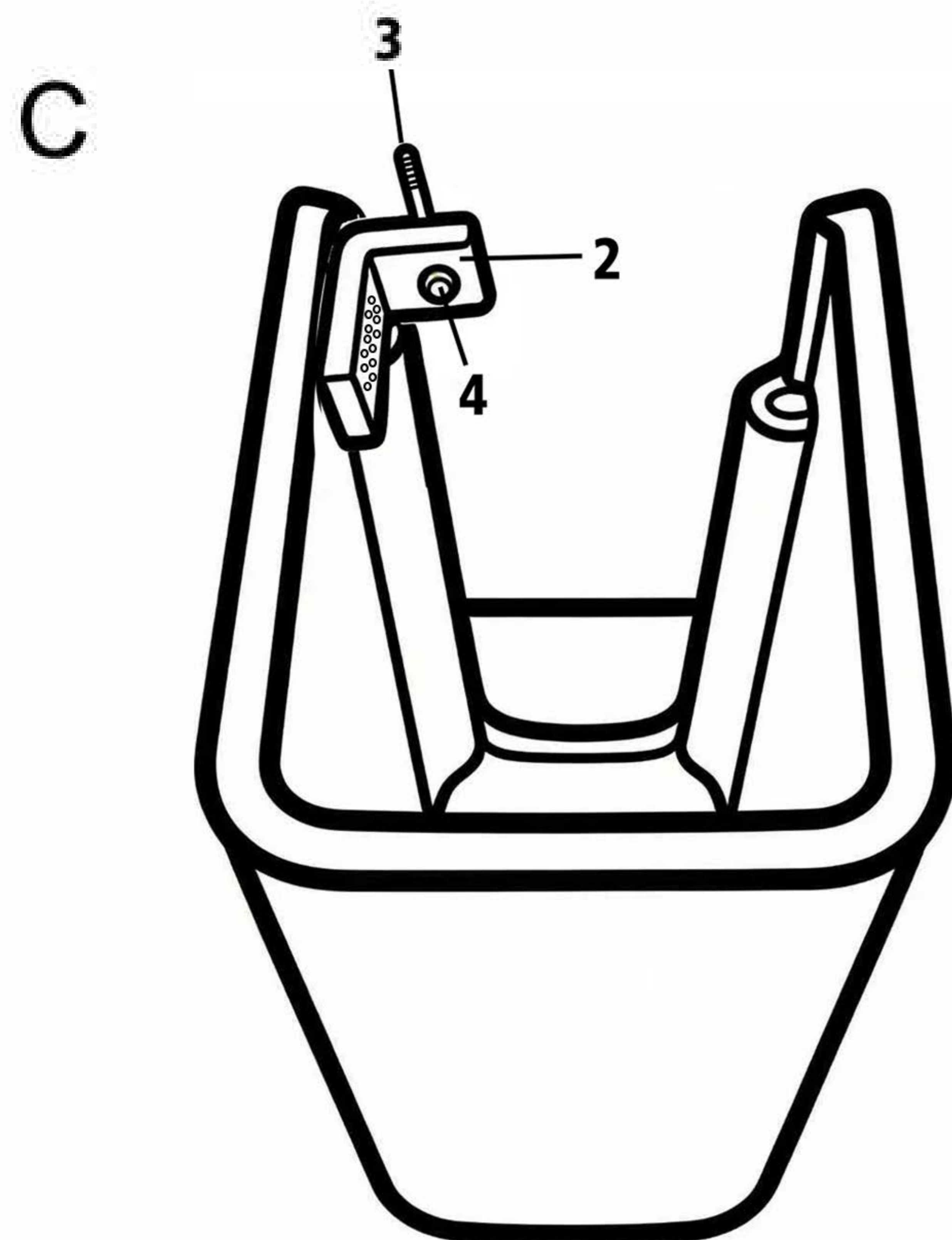
Installation Instructions



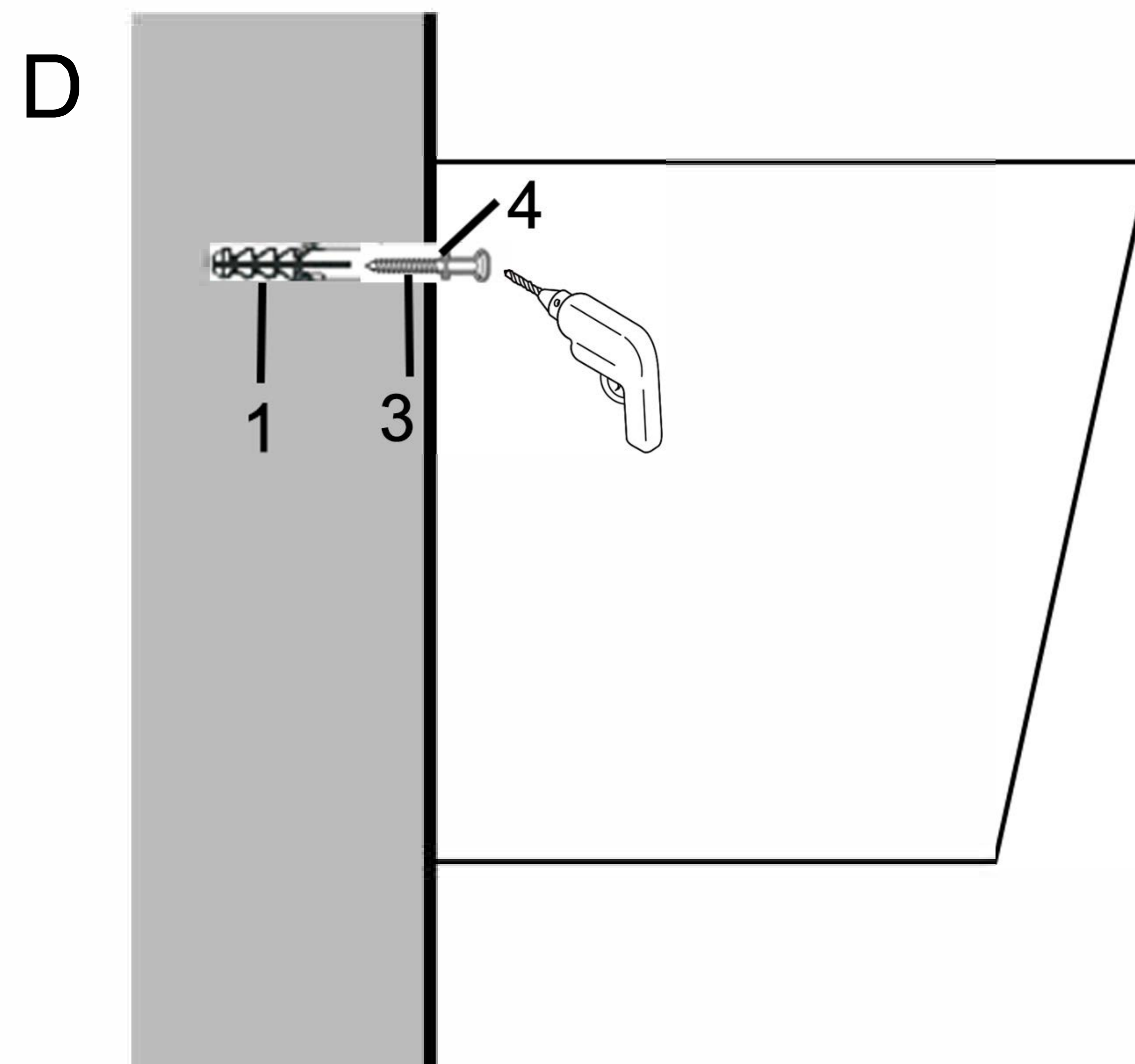
The required accessories are as shown in the figure.



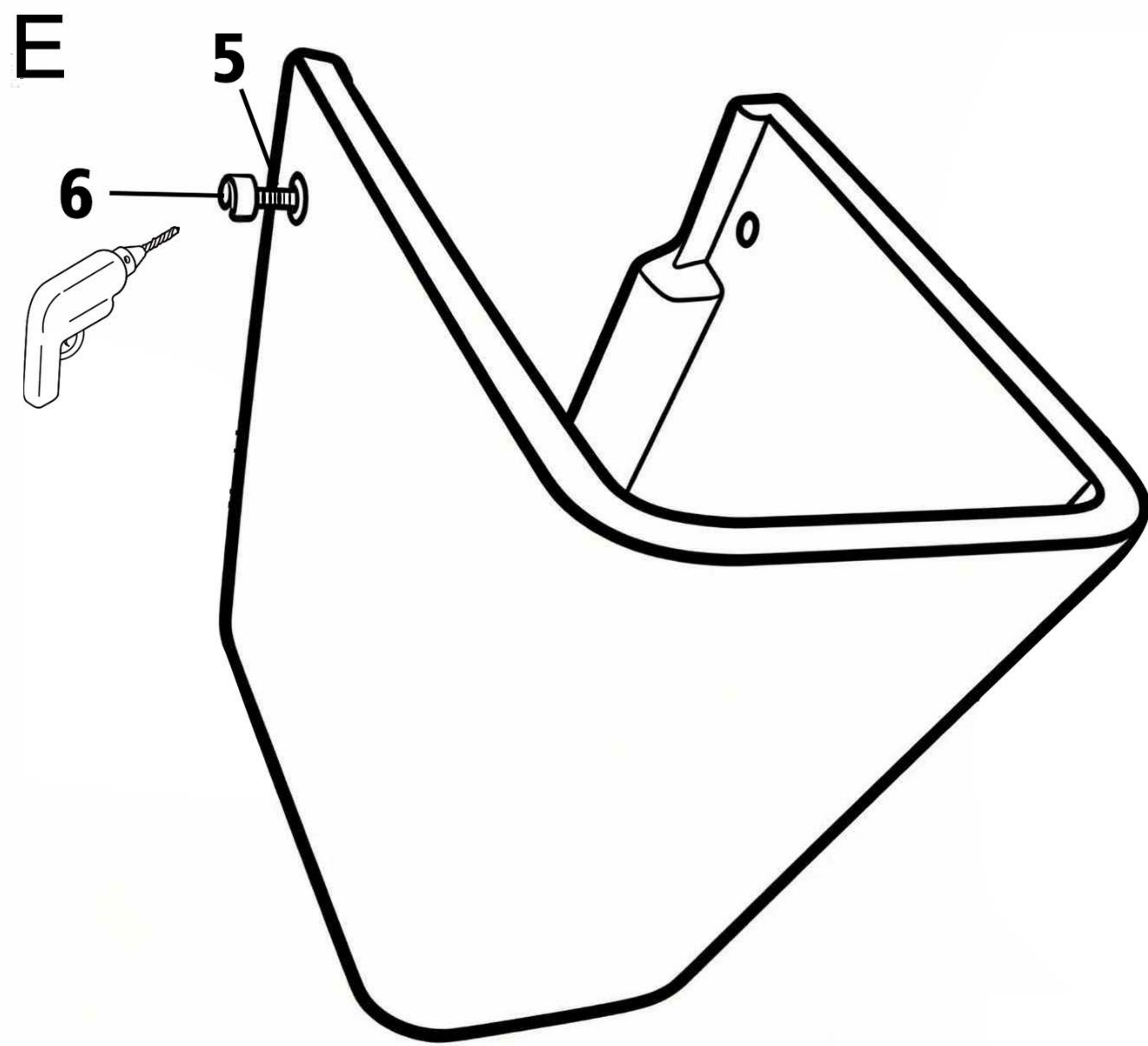
First, drilling holes in the wall using an electric drill. Insert the 1 into the drilled hole then tap it to the finished wall surface.



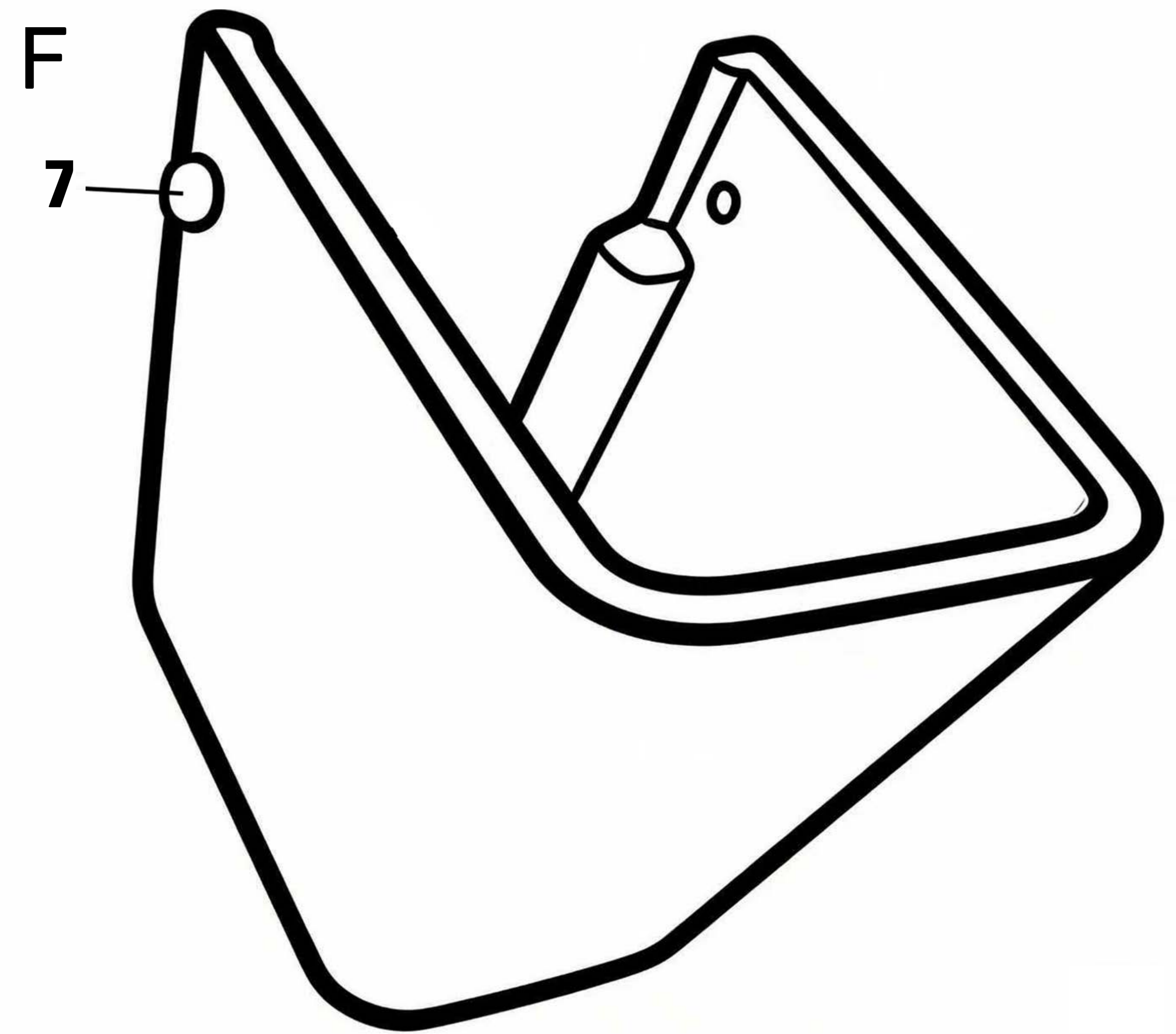
Align the longer part of component 2 with the hole of the washbasin. Pass component 3 and 4 through the larger hole of 2.



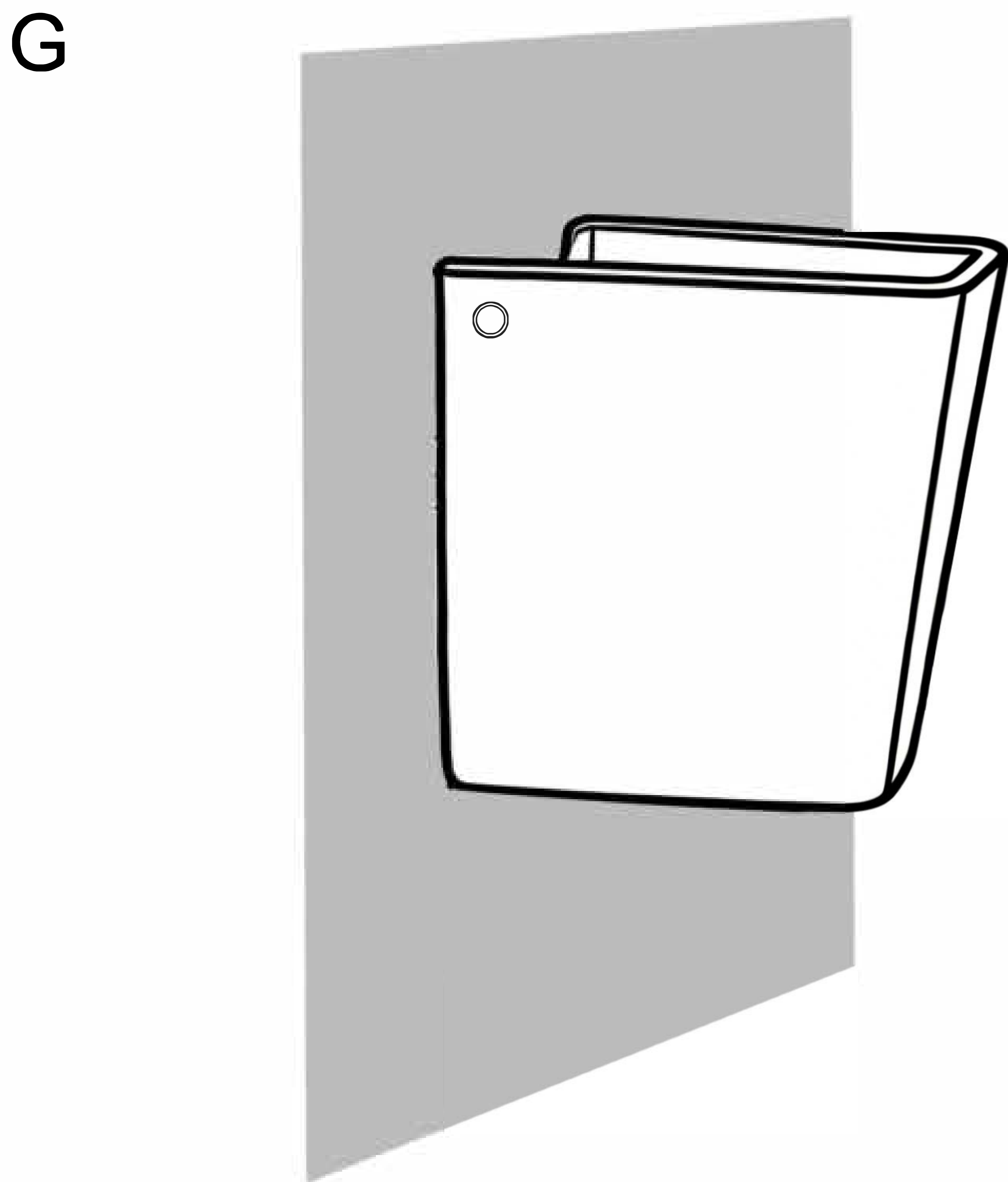
Use the electric drill to insert component 3 into the hole of component 1.



Insert component 6 into 5, and then use an electric drill to drill the wash basin hole.



Fasten component 7.



The pedestal of wash basin has been installed.