

8mm ONE DOOR OFFSET QUADRANT



RH

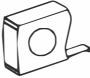


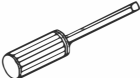
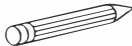
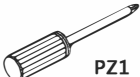









LH

General Information

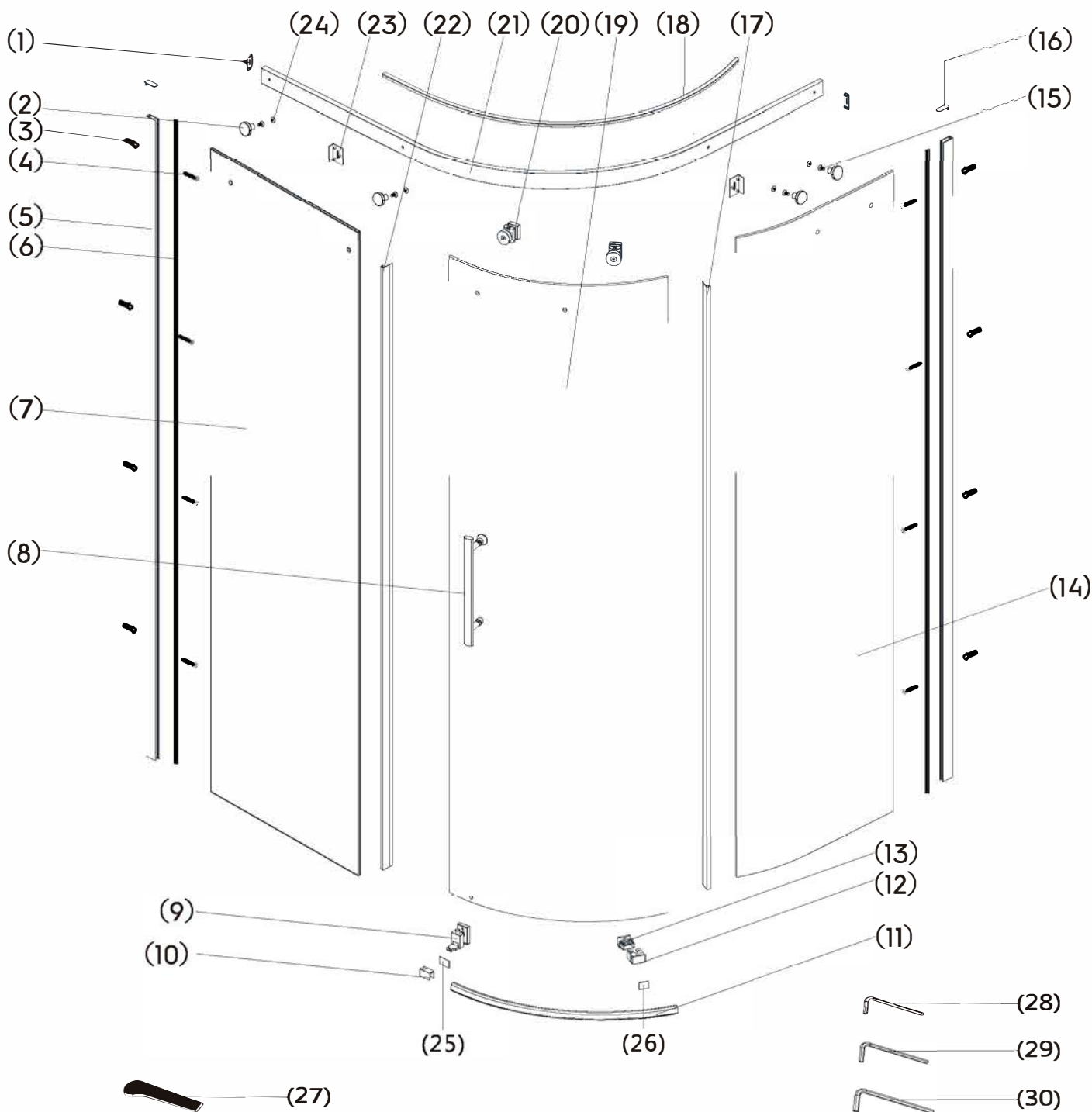
Please inspect this product upon delivery. Any missing parts or manufacturing defects must be reported immediately to the supplier. Damage or defects reported later will not be accepted. **TAKE CARE WHEN HANDLING GLASS PARTS-AVOID HEAVY CONTACT BETWEEN THE GLASS EDGES AND ANY HARD SURFACE.** Glass breakage claims will not be accepted after the product has been unpacked.

TOOLS REQUIRED

DESCRIPTION	PART IMAGE	DESCRIPTION	PART IMAGE
Tape measure		Drill	
Spirit level		Flat-head Screwdriver	
Pencil		Cross head Screwdriver	 PZ1
Ø6mm Drill bit		Mallet	
Ø3mm Drill bit		Silicone Sealant	
Ø4 Allen Key		Ø2 Allen Key	

 This product is heavy and may require two people to install.

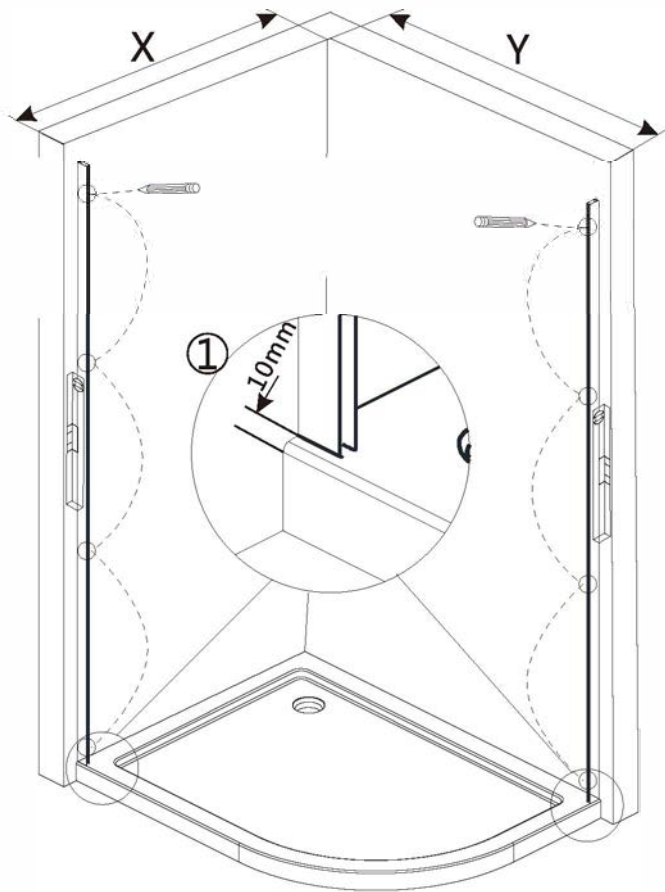
ASSEMBLY INSTRUCTIONS - DRAWING



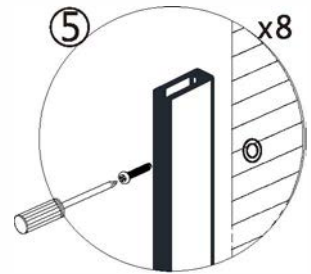
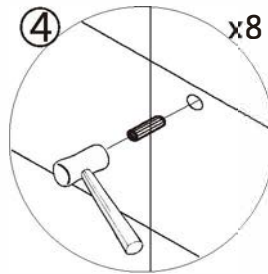
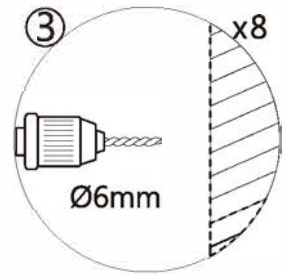
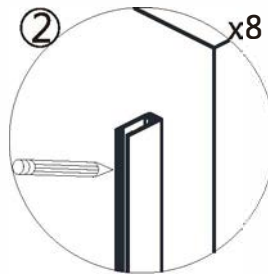
- (1) 2x Cover Caps (Guide Rail)
- (2) 4x Glass To Rail Brackets
- (3) 8x Wall Plugs
- (4) 8x Screws 4x30
- (5) 2x Wall Profiles
- (6) 2x Wedge Gasket Seals
- (7) 1x Fixed Panel A
- (8) 1x Handle
- (9) 1x Bottom Sliding Block
- (10) 1xDrip Strip End Cap
- (11) 1x Drip Strip
- (12) 1xBottom Guide Block A
- (13) 1x Bottom Guide Block B
- (14) 1x Fixed Panel B
- (15) 4x Screws

- (16) 2x Wall Profile Cover Caps
- (17) 1x Fixed Panel Seal A
- (18) 1xTop Seal
- (19) 1x Moving Panel
- (20) 2x Rollers
- (21) 1x Top Profile
- (22) 1x Fixed Panel Seal B
- (23) 2x Bump Stop Caps
- (24) 4x Screw Caps
- (25) 1x Washer 29x20
- (26) 1x Washer 49x20
- (27) 1x Gasket Fitting Hand Tool
- (28) 1x Allen Key 2.5MM
- (29) 1x Allen Key 3.0MM
- (30) 1x Allen Key 4.0MM

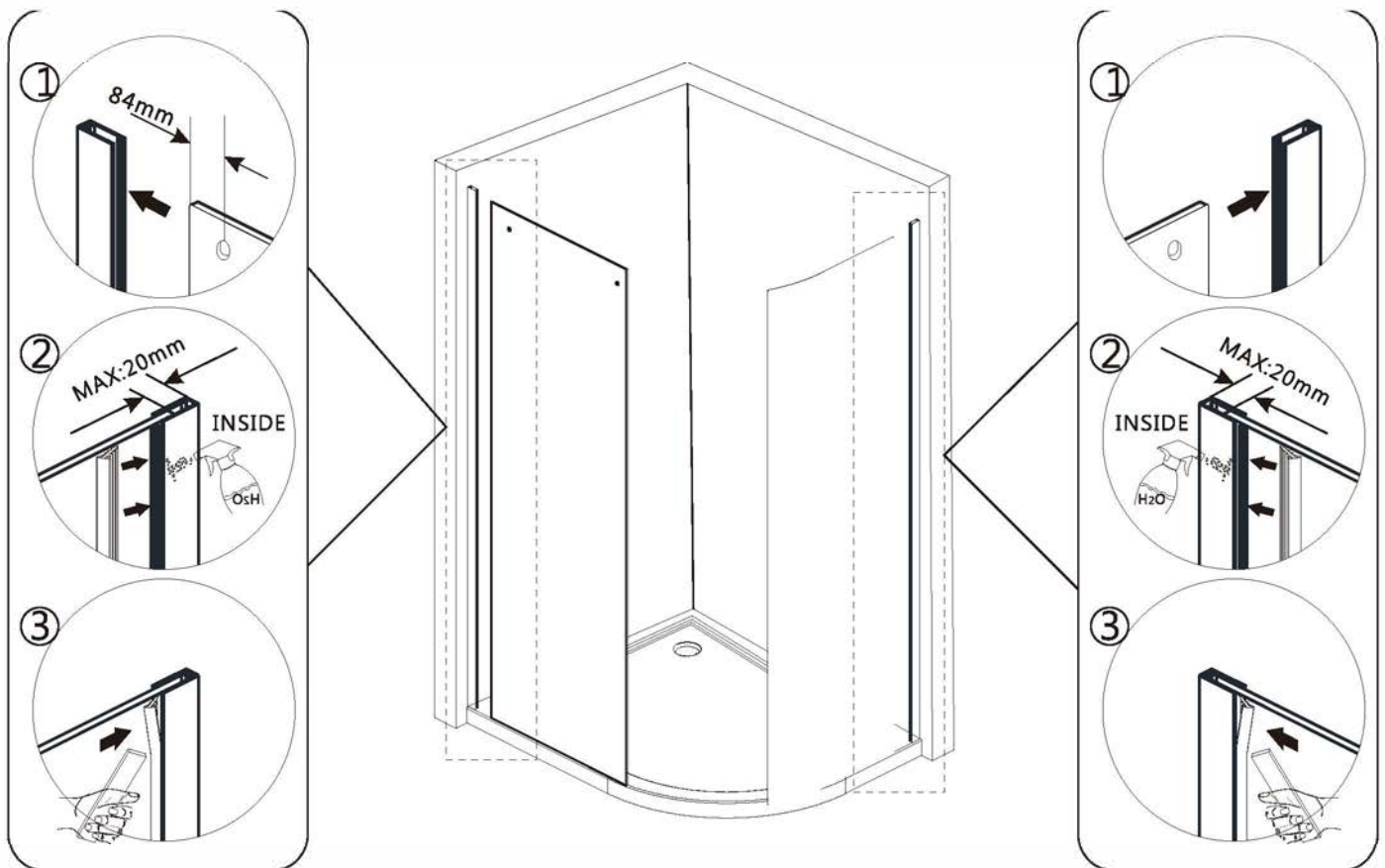
STEP 1



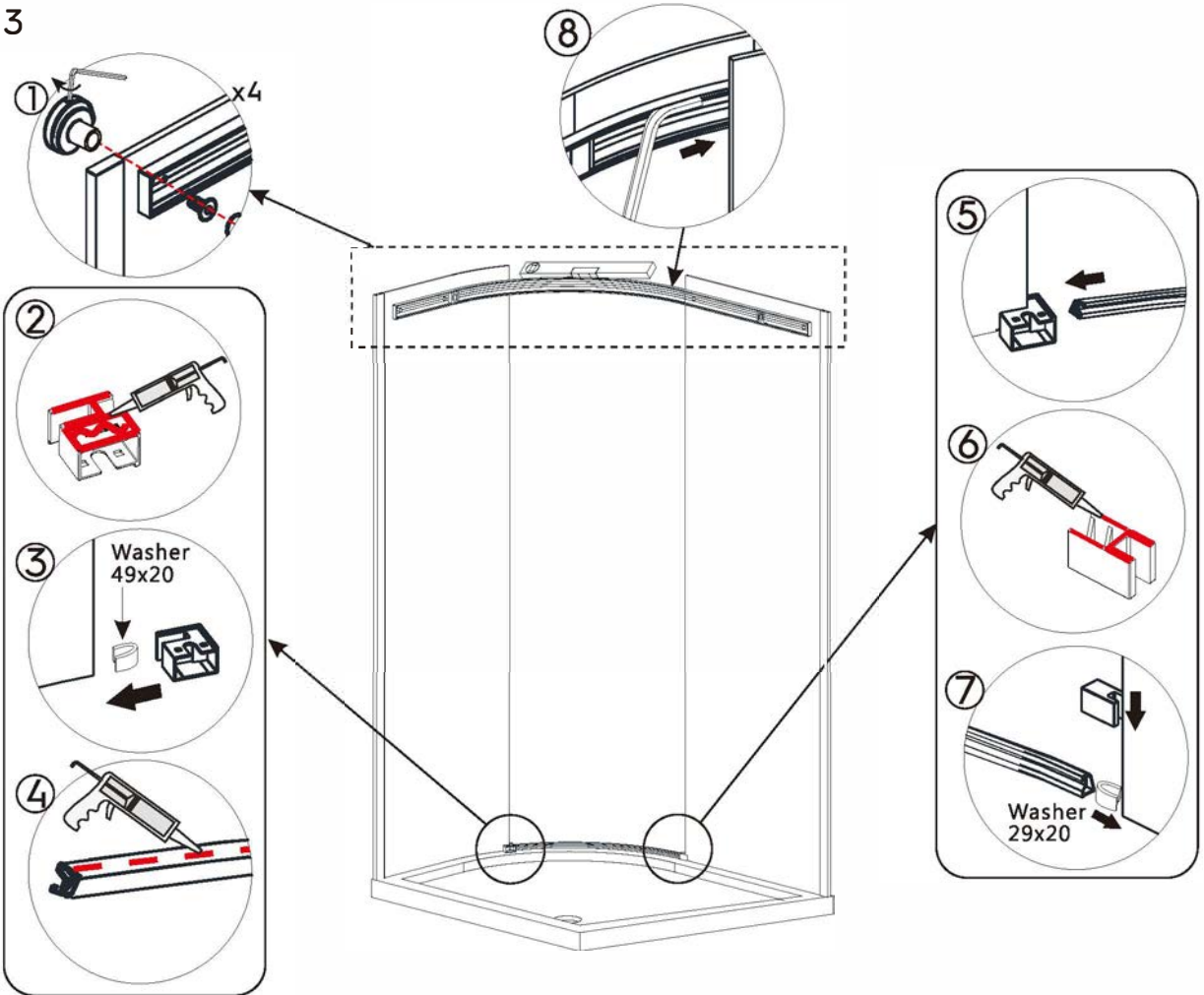
SIZE	X	Y
900x900	870-890	870-890
900x760	870-890	730-750
1000x800	970-990	770-790
1200x800	1170-1190	770-790
1200x900	1170-1190	870-890



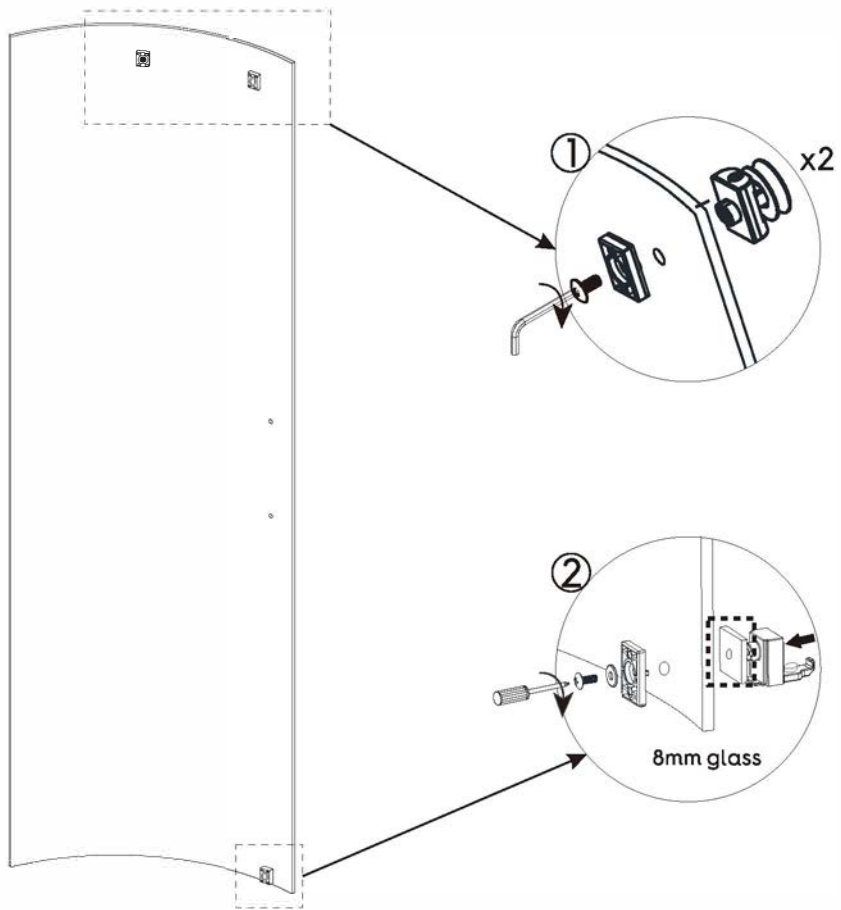
STEP 2



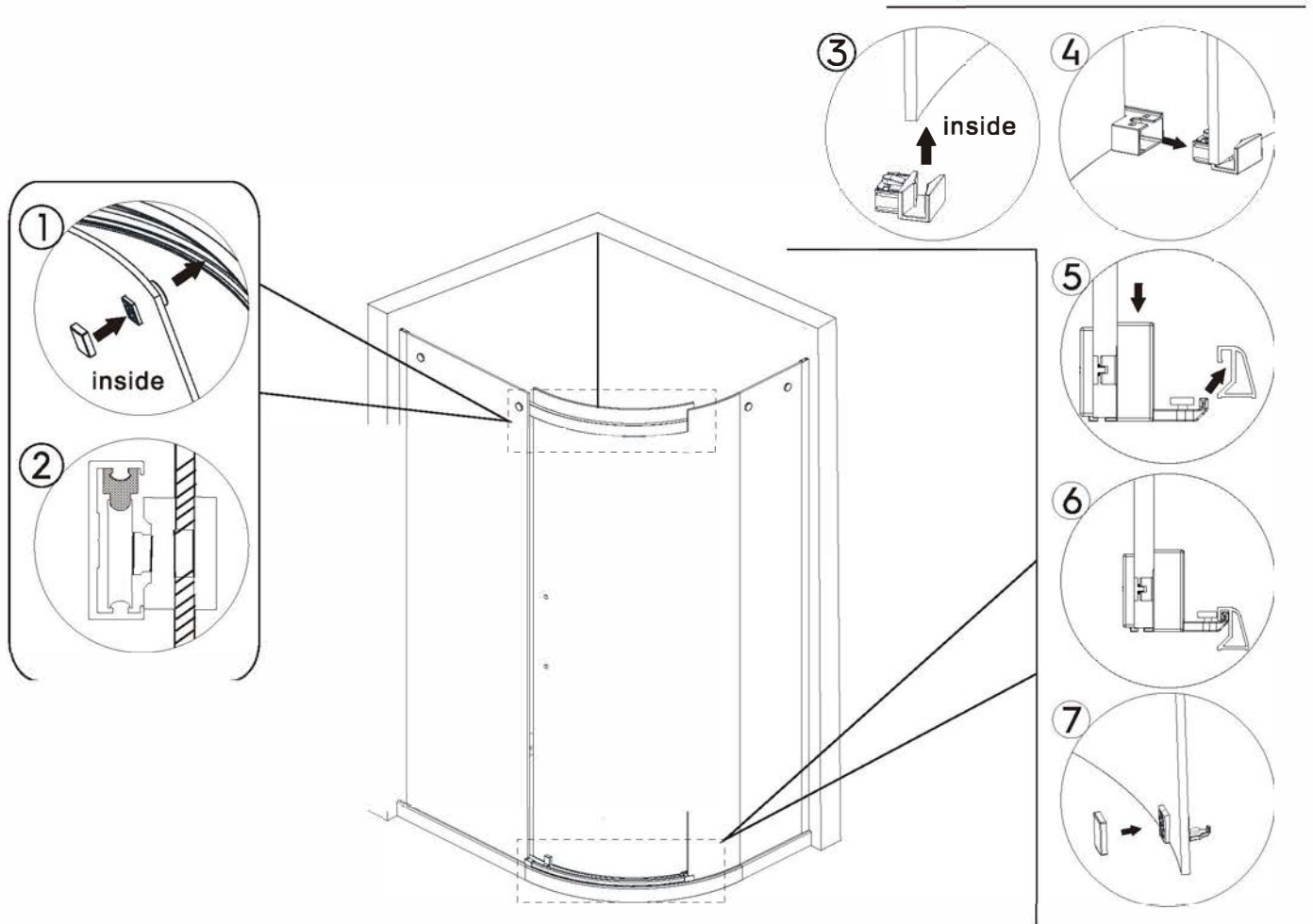
STEP 3



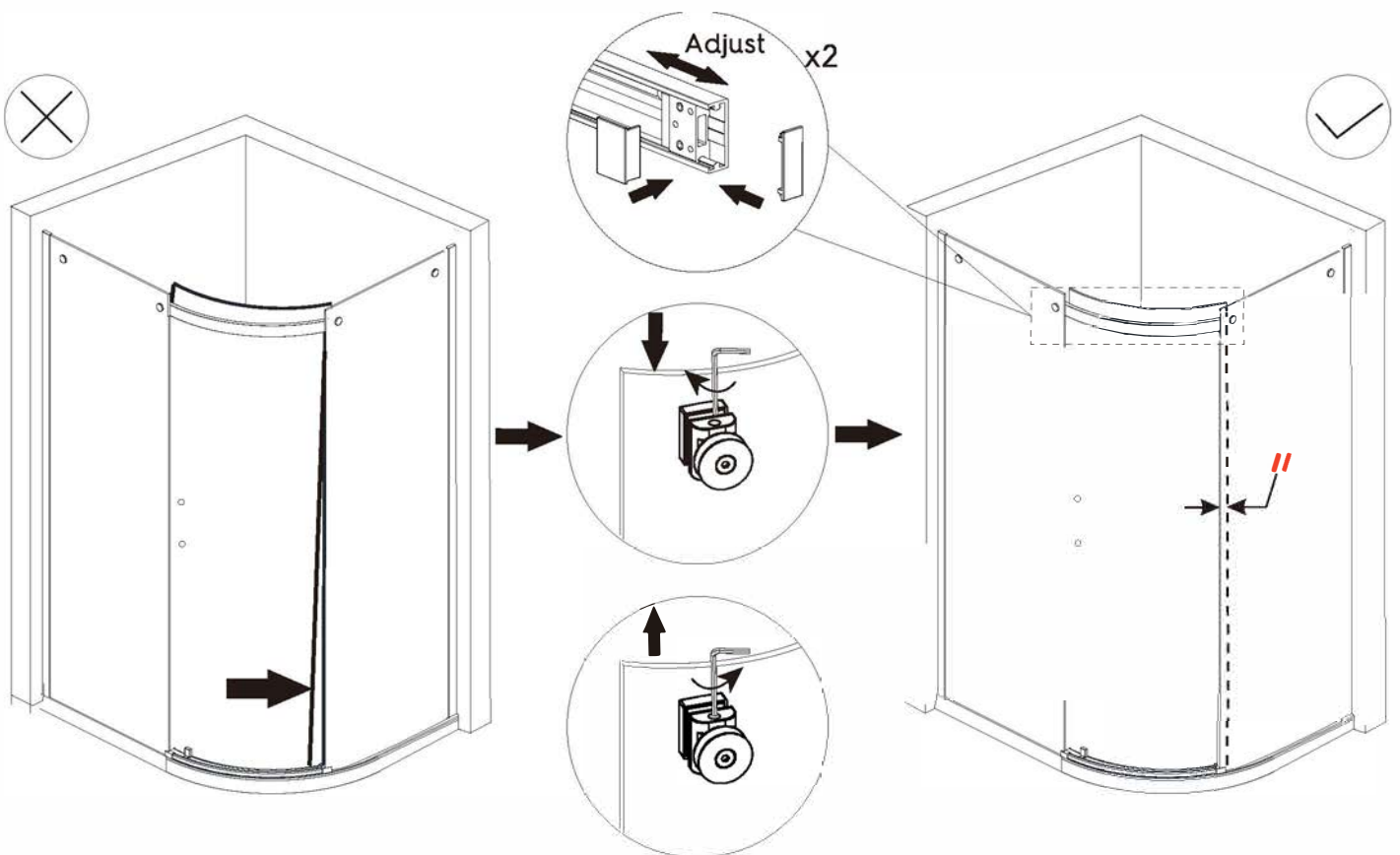
STEP 4



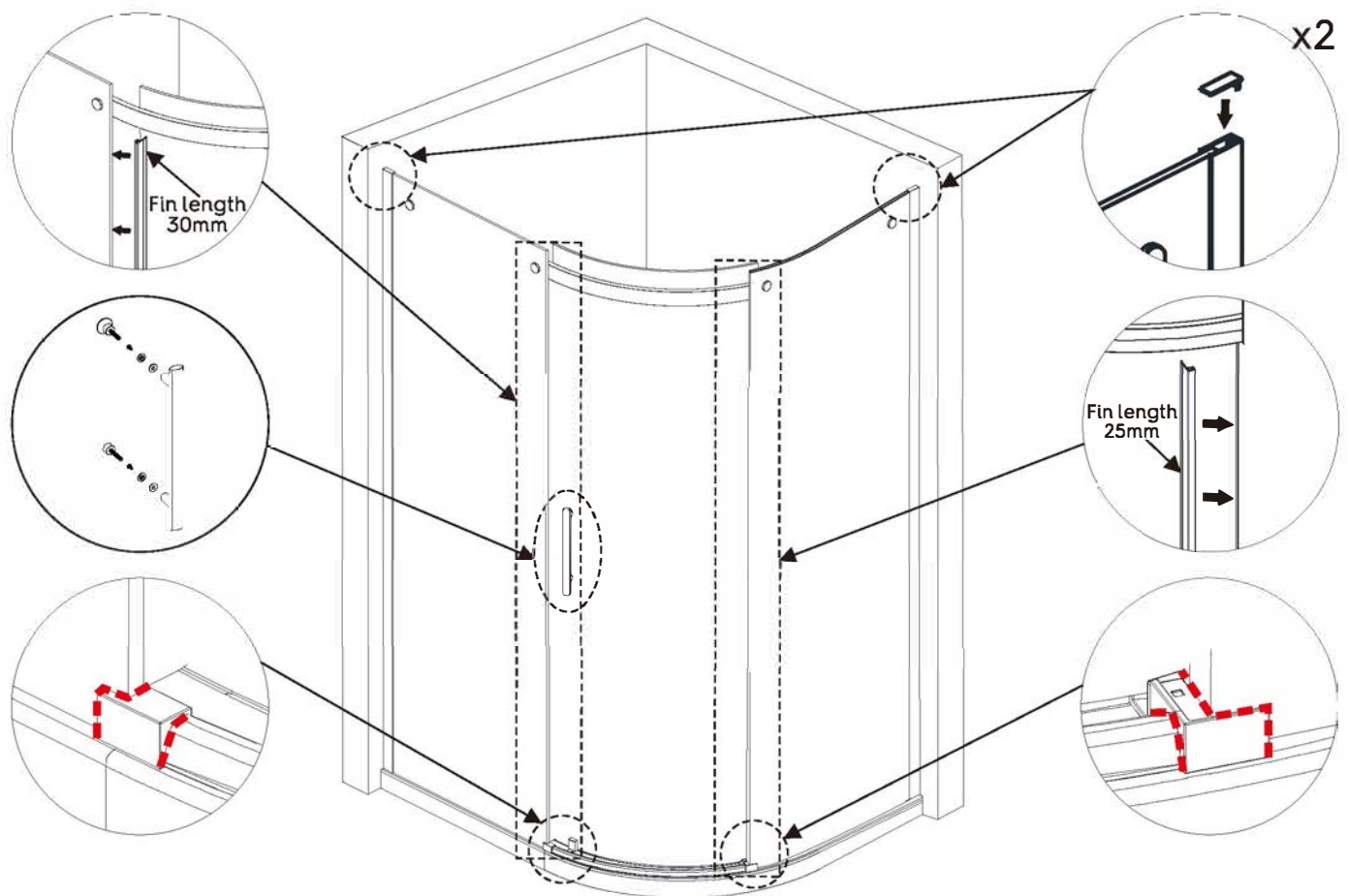
STEP 5



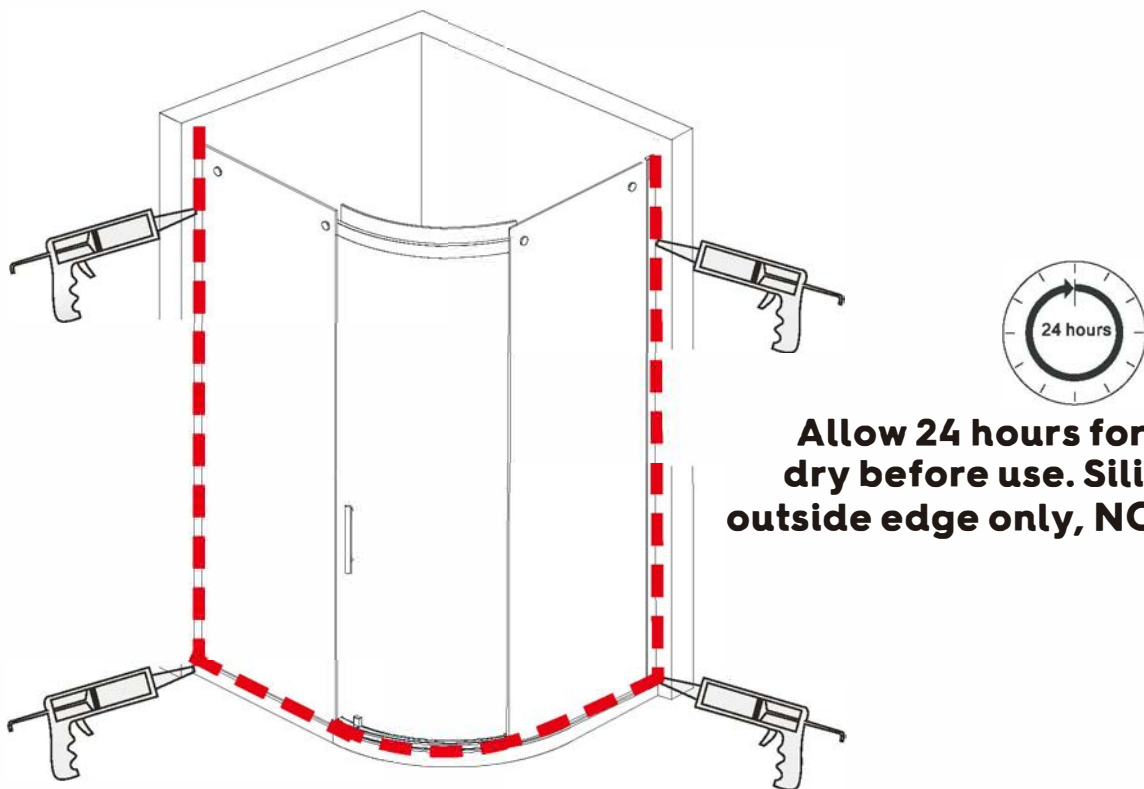
STEP 6



STEP 7



STEP 8



Allow 24 hours for silicone to dry before use. Silicone on the outside edge only, NOT THE INSIDE

Aftercare instructions

Regularly clean your shower product with warm soapy water to prevent lime scale build up. **DO NOT** use abrasive cleaning fluids or materials, or strong chemical cleaners as this will damage the product surface.