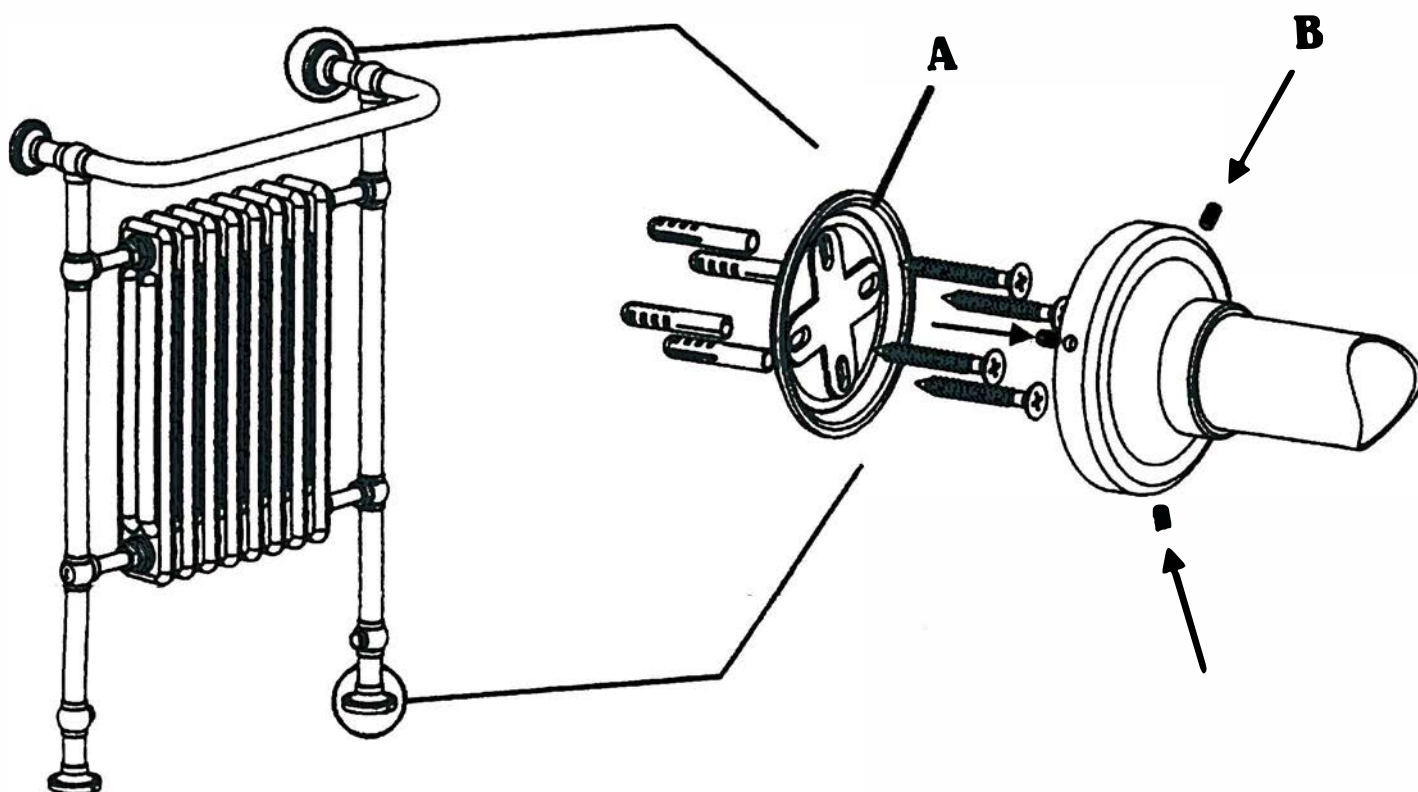


CONGRATULATIONS

You are the proud owner of an exclusive *Cotswold* HEATED TOWEL RAIL which has been hand made in time honoured fashion by our craftsmen who would wish you to enjoy many years of satisfaction from it.

INSTALLATION This product must be installed by a fully qualified engineer. It is not advisable to over tighten the Wall Plates to the wall/floor since this will eliminate a feature designed to overcome unevenness in the wall/floor surface. The wall/floor plates should be tightened only to the point where there is a gap between the plate and the wall/floor of 1 / 16" This will allow the grub screws to penetrate fully to the rear of the plate and as they are tightened the whole installation will become tight and secure.



- Please consider using a matching *Cotswold* INSTALLATION PACK – this will ensure that your towel rail looks its best with matching radiator valves and tubes.

- On commissioning, flush the central heating system thoroughly using a proprietary solution to ensure that aggressive substances such as fluxes and manufacturing residue, from which internal surfaces of your towel rail can sustain irreparable damage – are removed. It is further recommended that an appropriately approved corrosion inhibitor be subsequently added to the heating system in order to protect the heated towel rail and other parts of the central heating system to promote extended operating lifespan.
- It will be noted that there is an electrical earthing point at the rear of the top Right Hand Wall Plate.
- Maximum working pressure of this radiator is 4 bar.
This radiator is to be used on Domestic Central Heating systems only.
(Not suitable for use on direct hot water systems) Please consult your engineer or supplier.

MAINTENANCE

- From time to time is it advisable to wash your towel rail with warm soapy water in order to retain its original sparkle. Never use any form of abrasive cleaner.
- Corrosion inhibitor must also be regularly maintained, please consult your engineer for details.

IMPORTANT *Cotswold* Heated Towel Rails which incorporate a Steel Panel Radiator or Steel Column Radiator are not suitable for use on direct central heating systems. Please consult your engineer or supplier.

WARRANTY

Your *Cotswold* Heated Towel Rails is fully warranted for five years in respect of defective materials and workmanship and subject to installation being carried out by a qualified engineer in accordance with good practice and corrosion inhibitors being regularly maintained. In the event of your experiencing any difficulty with your *Cotswold* Heated Towel Rail please be sure to quote the unique number and date as stamped into the top Right Hand Side flange.

REMEMBER.....Excellence is worth looking after.

Cotswold

The World's most sought after
HEATED TOWEL RAILS.
Helpline : 01452 317890